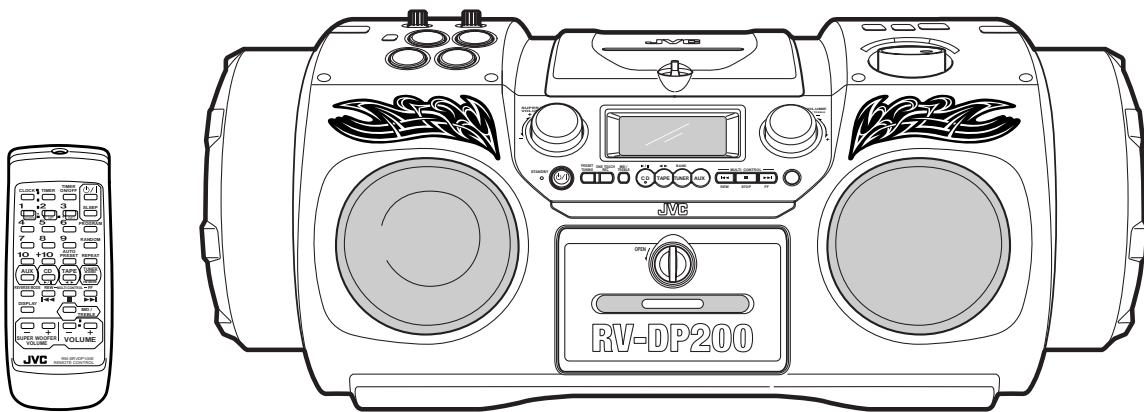


# JVC



POWERED WOOFER CD SYSTEM

## RV-DP200BK



COMPACT  
**disc**  
DIGITAL AUDIO

### INSTRUCTIONS

**For Customer Use:**

Enter below the Model No. and Serial No. which are located either on the rear, bottom or side of the cabinet. Retain this information for future reference.

Model No.

Serial No.

LVT0703-002A

[B]

## Warnings, Cautions and Others

### IMPORTANT for the U.K.

DO NOT cut off the mains plug from this equipment. If the plug fitted is not suitable for the power points in your home or the cable is too short to reach a power point, then obtain an appropriate safety approved extension lead or consult your dealer.

**BE SURE** to replace the fuse only with an identical approved type, as originally fitted.

If nonetheless the mains plug is cut off ensure to remove the fuse and dispose of the plug immediately, to avoid a possible shock hazard by inadvertent connection to the mains supply.

If this product is not supplied fitted with a mains plug then follow the instructions given below:

### IMPORTANT:

**DO NOT** make any connection to the terminal which is marked with the letter E or by the safety earth symbol or coloured green or green-and-yellow.

The wires in the mains lead on this product are coloured in accordance with the following code:

Blue : Neutral  
Brown : Live

As these colours may not correspond with the coloured markings identifying the terminals in your plug proceed as follows:

The wire which is coloured blue must be connected to the terminal which is marked with the letter N or coloured black.

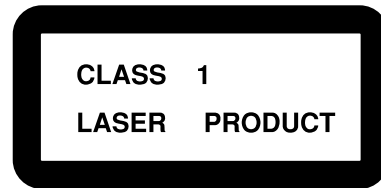
The wire which is coloured brown must be connected to the terminal which is marked with the letter L or coloured red.

IF IN DOUBT - CONSULT A COMPETENT ELECTRICIAN.

## IMPORTANT FOR LASER PRODUCTS

### REPRODUCTION OF LABELS

- 1 CLASSIFICATION LABEL, PLACED ON EXTERIOR SURFACE



- 2 WARNING LABEL, PLACED INSIDE THE UNIT

<b>CAUTION:</b> Invisible laser radiation when open and interlock failed or defeated. AVOID DIRECT EXPOSURE TO BEAM.	<b>ADVARSEL:</b> Usynlig laserstråling ved åbning, når sikkerhedsafbrydere er ude af funktion. Undgå udsættelse for stråling.	<b>VARNING:</b> Osynlig laserstråling når denna del är öppnad och spärren är urkopplad. Betrakta ej strålen.	<b>VARO:</b> Avattaessa ja suojalukitus ohitettaessa olet alttiina näkymättömälle lasersäteilylle. Älä katso säteeseen.
	(e)	(d)	(s) (f)

- 1 CLASS 1 LASER PRODUCT
- 2 **CAUTION:** Invisible laser radiation when open and interlock failed or defeated. Avoid direct exposure to beam.
- 3 **CAUTION:** Do not open the top cover. There are no user serviceable parts inside the Unit; leave all servicing to qualified service personnel.

### Caution — $\text{O}/\text{I}$ switch!

Disconnect the mains plug to shut the power off completely. The  $\text{O}/\text{I}$  switch in any position does not disconnect the mains line. The power can be remote controlled.

### CAUTION

To reduce the risk of electrical shocks, fire, etc.:

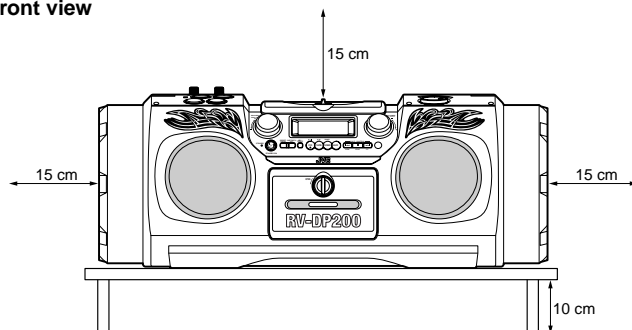
- 1 Do not remove screws, covers or cabinet.
- 2 Do not expose this appliance to rain or moisture.

### Caution: Proper Ventilation

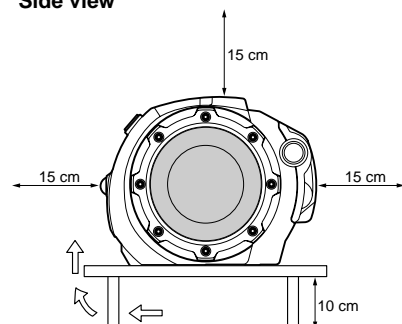
To avoid risk of electric shock and fire, and to prevent damage, locate the apparatus as follows:

- 1 Front: No obstructions and open spacing.
- 2 Sides/ Top/ Back: No obstructions should be placed in the areas shown by the dimensions below.
- 3 Bottom: Place on the level surface. Maintain an adequate air path for ventilation by placing on a stand with a height of 10 cm or more.

Front view



Side view



## CAUTION

1. Do not block the ventilation openings or holes. (If the ventilation openings or holes are blocked by a newspaper or cloth, etc., the heat may not be able to get out.)
2. Do not place any naked flame sources, such as lighted candles, on the apparatus.
3. When discarding batteries, environmental problems must be considered and local rules or laws governing the disposal of these batteries must be followed strictly.
4. Do not use this apparatus in a bathroom or places with water. Also do not place any containers filled with water or liquids (such as cosmetics or medicines, flower vases, potted plants, cups, etc.) on top of this apparatus.

## **SAFETY INSTRUCTIONS**

### **“SOME DOS AND DON'TS ON THE SAFE USE OF EQUIPMENT”**

This equipment has been designed and manufactured to meet international safety standards but, like any electrical equipment, care must be taken if you are to obtain the best results and safety is to be assured.

\*\*\*\*\*

Do read the operating instructions before you attempt to use the equipment.

Do ensure that all electrical connections (including the mains plug, extension leads and interconnections between pieces of equipment) are properly made and in accordance with the manufacturer's instructions. Switch off and withdraw the mains plug when making or changing connections.

Do consult your dealer if you are ever in doubt about the installation, operation or safety of your equipment.

Do be careful with glass panels or doors on equipment.

\*\*\*\*\*

DON'T continue to operate the equipment if you are in any doubt about it working normally, or if it is damaged in any way—switch off, withdraw the mains plug and consult your dealer.

DON'T remove any fixed cover as this may expose dangerous voltages.

DON'T leave equipment switched on when it is unattended unless it is specifically stated that it is designed for unattended operation or has a standby mode.  
Switch off using the switch on the equipment and make sure that your family know how to do this.

Special arrangements may need to be made for infirm or handicapped people.

DON'T use equipment such as personal stereos or radios so that you are distracted from the requirements of traffic safety. It is illegal to watch television whilst driving.

DON'T listen to headphones at high volume as such use can permanently damage your hearing.

DON'T obstruct the ventilation of the equipment, for example with curtains or soft furnishings.

Overheating will cause damage and shorten the life of the equipment.

DON'T use makeshift stands and NEVER fix legs with wood screws — to ensure complete safety always fit the manufacturer's approved stand or legs with the fixings provided according to the instructions.

DON'T allow electrical equipment to be exposed to rain or moisture.

ABOVE ALL

- NEVER let anyone, especially children, push anything into holes, slots or any other opening in the case -this could result in a fatal electrical shock.;
- NEVER guess or take chances with electrical equipment of any kind
- it is better to be safe than sorry!

Thank you for purchasing the JVC Powered Woofer CD System.  
 We hope it will be a valued addition to your home as well as your outdoor life, giving you years of enjoyment.  
 Be sure to read this instruction manual carefully before operating your new stereo system.  
 In it you will find all the information you need to set up and use the system.  
 If you have a query that is not answered by the manual, please contact your dealer.

## Features

Here are some of the things that make your System both powerful and simple to use.

- The controls and operations have been redesigned to make them very easy to use, freeing you to just enjoy the music.
  - With JVC's **COMPU PLAY** you can turn on the System and automatically start the Radio, CD Player, or Cassette Deck with a single touch. (Only when AC power is used.)
- The System is equipped with 16-cm dia. super woofers that provide powerful bass.
- A 45-station preset capability (30 FM and 15 AM (MW/LW) in addition to auto-seek and manual tuning.
- CD options include CD pitch control function, repeat, random and program play.
- Auto-reverse tape function
- Rhythm Machine provides various rhythm patterns, scratch sounds, and drum pad patterns.
- Timer functions; set the system to automatically come on, switch off.



## How This Manual Is Organized

- Basic information that is the same for many different functions - e.g. setting the volume - is given in the section 'Basic Operations', and not repeated under each function.
- The names of buttons/controls and display messages are written in all capital letters: e.g. TUNER BAND, "NO DISC".
- System functions are written with an initial capital letter only: e.g. Normal Play.

Use the table of contents to look up specific information you require.

We've enjoyed making this manual for you, and hope it serves you in enjoying the many features built into your System.

## IMPORTANT CAUTIONS

### 1. Where to place the System

- Select a place which is level, dry and neither too hot nor too cold. (Between 0°C and 40°C.)
- Leave sufficient distance between the System and a TV.
- Do not use the System in a place subject to vibrations.

### 2. Power cord

- Do not handle the power cord with wet hands!
- Some power is always consumed as long as the power cord is connected to the wall outlet.
- When unplugging the System from the wall outlet, always pull the plug, not the power cord.

### 3. When carrying the System

- Remove a CD from the System.
- Disconnect all the cords from the System.

### 4. Malfunctions, etc.

- There are no user serviceable parts inside. In case of system failure, unplug the power cord and consult your dealer.
- Do not insert any metallic object into the System.

# Table of Contents

Features.....	1	Using the Rhythm Machine .....	16
How This Manual Is Organized.....	1	Listening to an Auxiliary Equipment .....	21
IMPORTANT CAUTIONS.....	1	Using the Microphone/Guitar .....	22
<b>Getting Started .....</b>	<b>2</b>	Using the Timers .....	23
<b>Basic Operations.....</b>	<b>6</b>	Care And Maintenance .....	25
<b>Using the Tuner.....</b>	<b>8</b>	Troubleshooting.....	26
<b>Using the CD Player.....</b>	<b>10</b>	Specifications.....	27
<b>Using the Cassette Deck.....</b>	<b>13</b>		
<b>Using the Cassette Deck.....</b>	<b>14</b>		

# Getting Started

## Accessories

Check that you have all of the following items, which are supplied with the System.

- Power Cord (1)
- Remote Control (1)
- Batteries (2)
- Shoulder Strap (1)

If any of these items are missing, contact your dealer immediately.

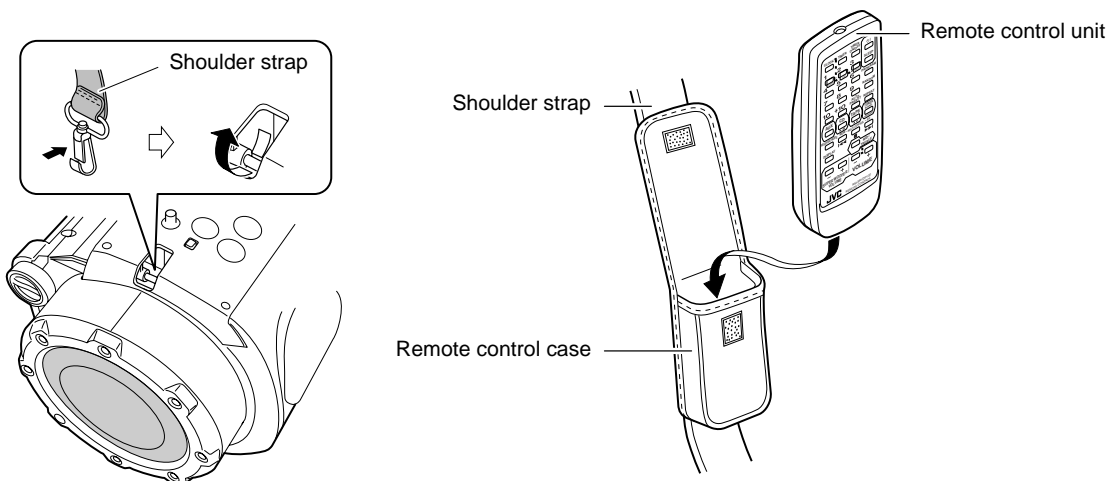
## How To Carry the System

To carry the System, attach the supplied shoulder strap to each end of the System.

Press in the metal fitting of the shoulder strap and hook it over the shaft at each end of the System as shown in the figure.

To detach the shoulder strap, press in the metal fitting and unhook it from the shaft.

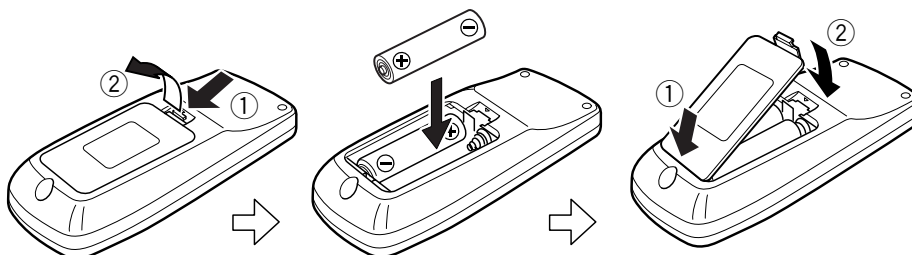
The shoulder strap is adjustable in length and has the remote control case.



## How To Put Batteries In the Remote Control

Match the polarity (+ and -) on the batteries with the + and - markings in the battery compartment.

R6P(SUM-3)/AA(15F)



### **CAUTION: Handle batteries properly.**

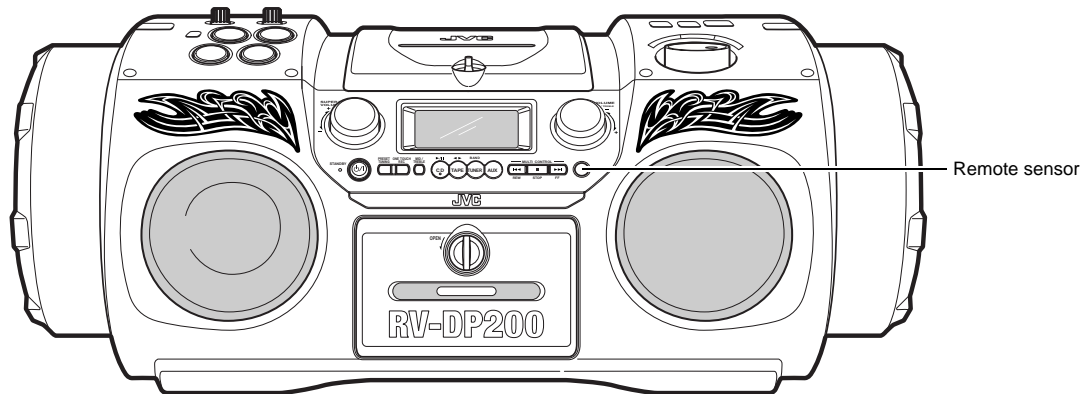
To avoid battery leakage or explosion:

- Remove batteries when the Remote Control will not be used for a long time.
- When you need to replace the batteries, replace both batteries at the same time with new ones.
- Don't use an old battery with a new one.
- Don't use different types of batteries together.

## Using the Remote Control

The Remote Control makes it easy to use many of the functions of the System from a distance of up to 7m (23 feet) away. You need to point the Remote Control at the remote sensor on the System's front panel.

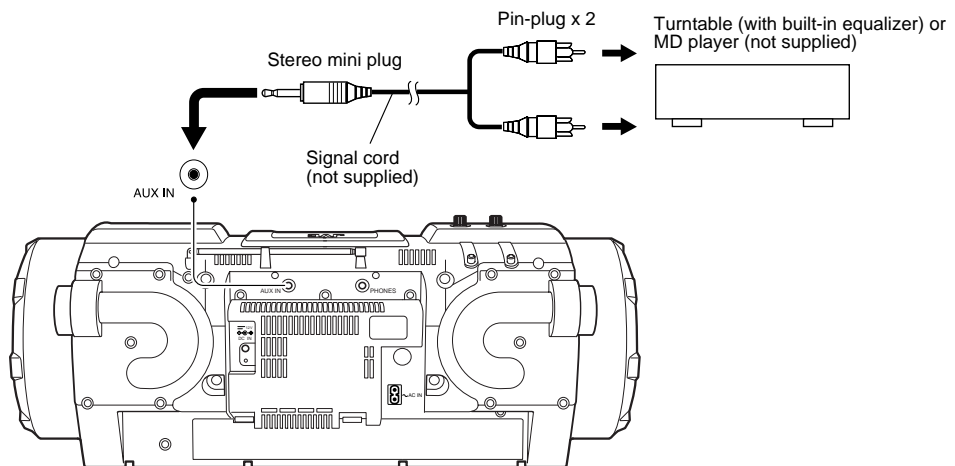
**Note:** If you point the Remote Control from the slant direction, the above distance will be shortened.



**CAUTION:** Make all connections before plugging the System into an AC power outlet.

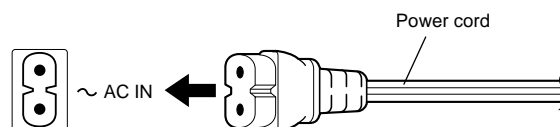
## Connecting Auxiliary Equipment

Connect a signal cord (not supplied) between the AUX IN terminal on the System and the output terminals of your auxiliary equipment (e.g. turntable or MD player). You can listen to this source.



## Connecting the AC Power Cord

Firmly insert the supplied AC power cord into the AC inlet on the back of the System.



### CAUTIONS:

- **ONLY USE THE JVC POWER CORD PROVIDED WITH THIS SYSTEM TO AVOID MALFUNCTION OR DAMAGE TO THE SYSTEM.**
- **BE SURE TO UNPLUG THE POWER CORD FROM THE OUTLET WHEN GOING OUT OR WHEN THE SYSTEM IS NOT IN USE FOR AN EXTENDED PERIOD OF TIME.**

**Now you can plug the AC power cord into the wall outlet, and your System is at your command!!**

## Memory Backup Batteries

It is recommended that memory backup batteries are loaded in the System to prevent the contents of the memory from being erased when a power failure occurs.

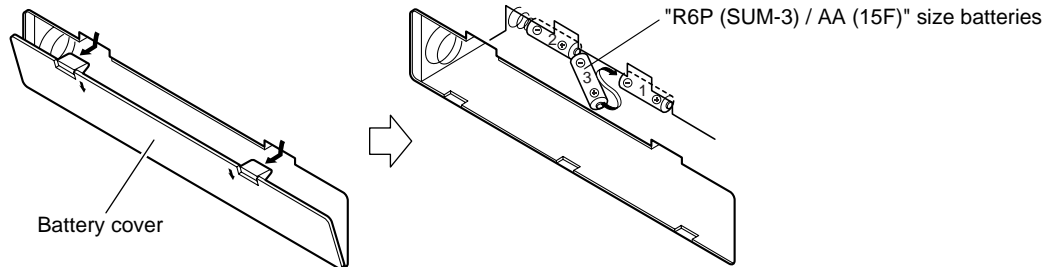
**1. Open the battery cover on the back of the System by pulling it toward you while pressing the tabs as shown by the arrows.**

**2. Load three batteries (not supplied) in the battery compartment in the order of "1" to "3".**

- Be careful to put the batteries with the "+" and "-" terminals positioned correctly.

**3. Securely close the battery cover.**

To remove the batteries, remove the battery "3" first.



### Notes:

- The memory backup batteries will not be consumed as long as the power is supplied from an AC outlet, loaded 10 batteries, or car battery (DC12V). However, if no power is supplied to the System, the memory backup batteries should be replaced with new ones approximately every 12 months to securely maintain the contents of the memory.
- Before replacing the memory backup batteries, always connect the AC power cord to the System to prevent the contents of memory from being erased.
- When a power failure occurs, the time indication disappears from the display to save the battery power of the memory backup batteries.

### CAUTION: Handle batteries properly.

To avoid battery leakage or explosion:

- When you need to replace the batteries, replace all batteries at the same time with new ones. Before replacing, you need to supply AC power to the System.
- Don't use an old battery with new ones.
- Don't use different types of batteries together.

## How To Operate the System on Batteries

You can operate the System on 10 batteries.

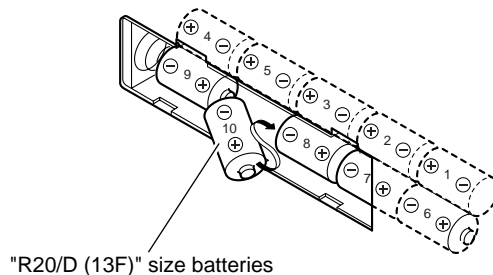
**1. Open the battery cover on the back of the System by pulling it toward you while pressing the tabs as shown by the arrows.**

**2. Put 10 batteries (not supplied) in the battery compartment in the order of "1" to "10" as shown.**

- Be careful to put the batteries with the "+" and "-" terminals positioned correctly.

**3. Securely close the battery cover.**

To remove the batteries, remove the battery "10" first.



### Notes:

- When you operate the System on mains (AC) power or on car battery (DC12V), the power source automatically switches from batteries to AC or DC12V. However, you should remove the 10 batteries when operating on AC power or car battery (DC12V).
- When the batteries are exhausted, mistracking will occur during CD playback or sound will be distorted intermittently during tape playback. You need to replace the batteries at a time.
- It is recommended that the AC power cord be used when recording important material or listening to a CD.

**CAUTION: Handle batteries properly.**

To avoid battery leakage or explosion:

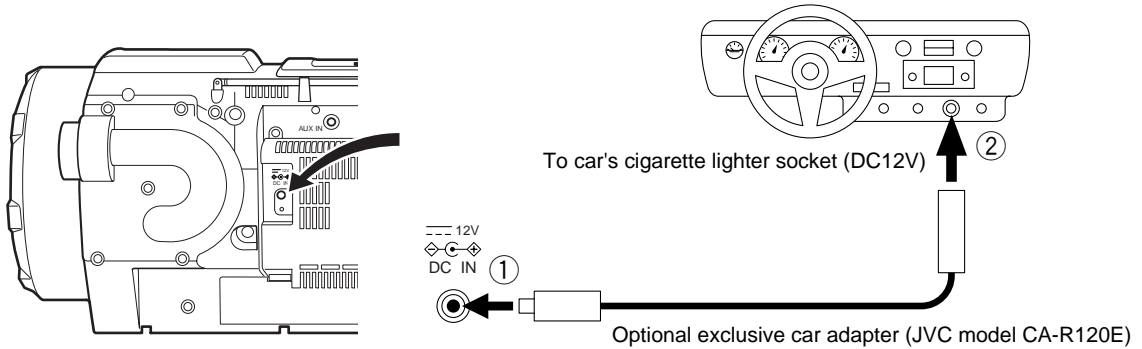
- Remove 10 batteries when the System will not be used for a long time.
- When you need to replace the batteries, replace all batteries at the same time with new ones.
- Don't use an old battery with new ones.
- Don't use different types of batteries together.

## How To Operate the System on Car Battery (DC12V)

You can operate the Unit on car battery (DC12V).

**1 First, connect the car adapter to the DC IN 12V jack on the back of the System, to avoid a short-circuit of the car adapter.**

**2. Next, connect the car adapter to the cigarette lighter socket (DC12V) of the car.**



**CAUTION: Use the System in a car properly.**

- Be sure to use the specified car adapter (JVC model CA-R120E) to prevent mishaps or damage resulting from different polarity design.
- Unplug the AC power cord from the System when using the System with a car adapter.
- For safety, stop the car before performing operations.
- Be sure to start the engine when you use the car adapter, otherwise the car battery will be exhausted.
- During transport, stabilize the System in a box, etc.
- The Unit is not waterproof or dustproof. To prevent malfunctions, do not leave the System in a car for a long time.

## COMPU PLAY

JVC's COMPU PLAY feature lets you control the most frequently used System functions with a single touch.

With One Touch Operation you can play a CD, a tape, or turn on the radio with a single press of the play button for that function. One Touch Operation turns the power on for you, then starts the function you have specified. If the System is not ready (no CD in place, for example), the System still powers on so you can insert a CD.

How One Touch Operation works in each case is explained in the section dealing with that function.

The COMPU PLAY buttons are:

**On the Unit**

- CD ►/|| button
- TAPE ◀▶
- TUNER BAND button
- AUX button

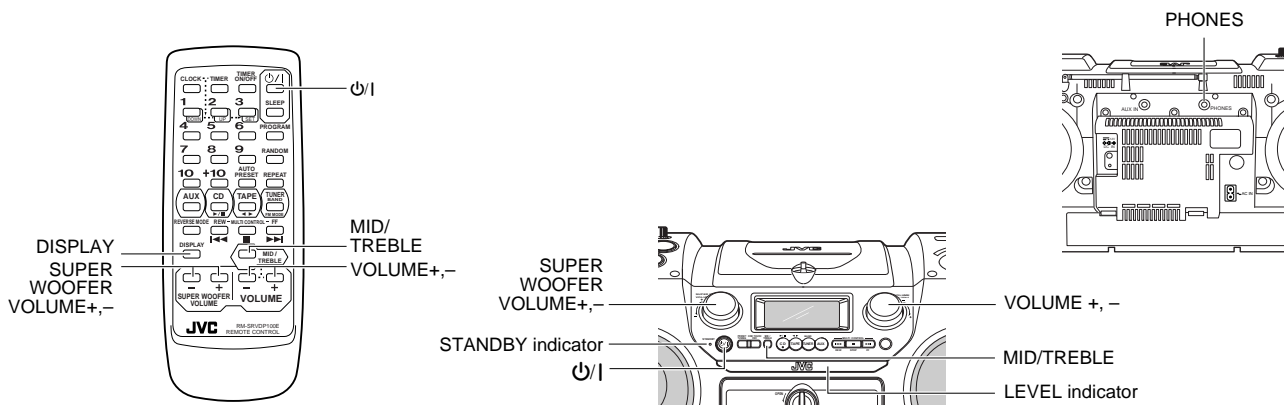
**On the Remote Control**

- CD ►/|| button
- TAPE ◀▶
- TUNER BAND button
- AUX button

**Note:** The COMPU PLAY feature is ineffective when the System is operated on batteries or car battery (DC12V).



# Basic Operations



## Turning the Power On and Off

**Note:** The lighting condition for the "STANDBY" indicator and the display differs depending on the power source being used, as follows:

Power source	"STANDBY" indicator/Display
AC power	<ul style="list-style-type: none"> <li>The "STANDBY" indicator lights when power is turned off.</li> <li>Backlighting of the display is illuminated when power is turned on.</li> </ul>
Batteries or car battery (DC12V)	<ul style="list-style-type: none"> <li>The "STANDBY" indicator does not light.</li> <li>Backlighting of the display is not illuminated.</li> </ul>

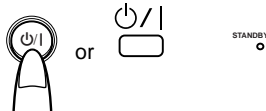
## Turning the System On

### Press the $\mathcal{P}/I$ button.

- When the System is operated on batteries or car battery (DC12V), press the  $\mathcal{P}/I$  button on the Unit.

The "STANDBY" indicator goes out when the System is operated on AC power.

The display comes on and the System is ready to continue in the mode it was in when the power was last turned off.



- For example, if the last thing you were doing was listening to a CD, you are now ready to listen to a CD again. If you wish, you can change to another source.
- If you were listening to the Tuner last, the Tuner comes on playing the station it was last set to.

## Turning the System Off

### Press the $\mathcal{P}/I$ button.

The "STANDBY" indicator lights up when the System is operated on AC power.

The contents of the display changes to the clock, and "CLOCK" indicator and the time are displayed without backlighting.



- Some power is always consumed even though power is turned off (called Standby Mode).
- To switch off the System completely, unplug the AC power cord from the AC outlet. When you unplug the AC power cord, the clock will be reset to "0:00" when no memory backup batteries are installed.

## Adjusting the Volume

You can adjust the volume level between 0 and 50.

### Using the Unit

Turn the VOLUME control clockwise to increase the volume or turn it counterclockwise to decrease the volume.



### Using the Remote Control

Press the VOLUME + button to increase the volume or press the VOLUME - button to decrease it.

When you keep pressed the VOLUME + or - button, the volume changes rapidly.

**CAUTION: DO NOT start playing any source without first setting the volume to minimum, as a sudden blast of sound can damage your hearing, speakers and/or headphones.**

### For private listening

Connect a pair of headphones to the PHONES jack. No sound comes out of the speakers.

Be sure to turn down the volume before connecting or putting on headphones.

### LEVEL indicator

When one of sources is played, the LEVEL indicator on the Unit will light in green, orange, or red according to the signal level. (Four LEDs are arranged respectively on both sides of the LEVEL indicator.)

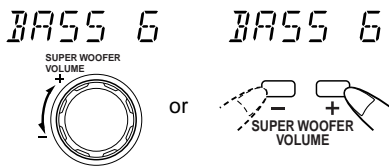
- The lighting condition of the LEVEL indicator is not affected by the volume setting.

## Adjusting the Super Woofer Volume

You can adjust the bass level between BASS 1 (minimum) and BASS 6 (maximum). You can use this effect only for playback.

### Using the Unit

Turn the SUPER WOOFER VOLUME control clockwise to increase the bass level or turn it counterclockwise to decrease the bass level.



## Using the Remote Control

Press the SUPER WOOFER VOLUME + button to increase the bass level or press the SUPER WOOFER VOLUME - button to decrease it.

**Note:** This function is not effective when the headphones are in use.

## Tone Control (MID/TREBLE)

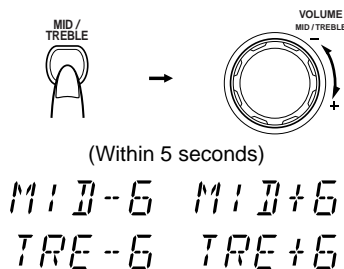
You can control the tone by changing the mid and the treble between -6 and +6. (0: Flat)

### Using the Unit

#### 1. Press the MID/TREBLE button to select MID or TREBLE.

Each time you press the button, the display changes as follows: MID→TREBLE→Current sound source→(back to the beginning)

#### 2. Turn the VOLUME control clockwise or counterclockwise within five seconds to adjust the mid/treble level.

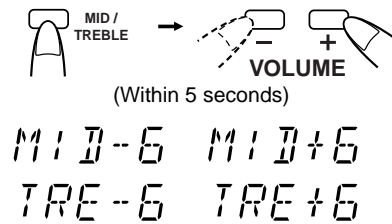


## Using the Remote Control

#### 1. Press the MID/TREBLE button to select MID or TREBLE.

Each time you press the button, the display changes as follows: MID→TREBLE→Current sound source→(back to the beginning)

#### 2. Press the VOLUME + or VOLUME - button within five seconds to adjust the mid or treble level.



## Showing the Time (DISPLAY)

In Standby mode, the backlight of the display goes out, and the "CLOCK" indicator and the current time (clock) appear on the display.

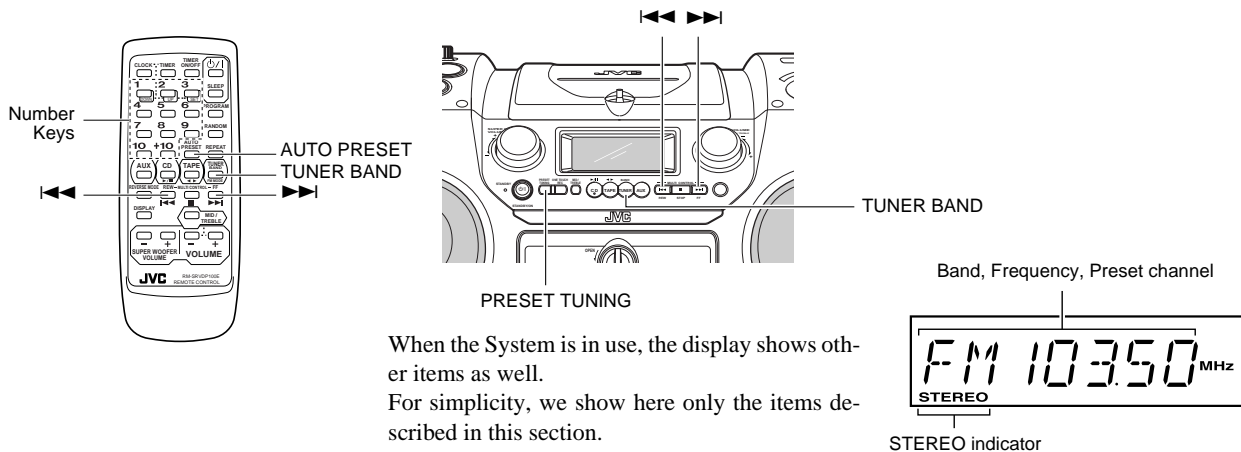
While the power is turned on, you can see the current time (clock) at any time, as follows:

Press the DISPLAY button on the Remote Control. Each time you press the button, the display changes as follows:

Current sound source (e.g. FM103.50 MHz)→Clock→(back to the beginning)

**Note:** To let work the clock, you need to set the clock first. (See "Setting the Clock" on page 23.)

# Using the Tuner



When the System is in use, the display shows other items as well. For simplicity, we show here only the items described in this section.

You can listen to FM and AM (MW/LW) stations. Stations can be tuned in manually, automatically, or from preset memory storage.

■ Before listening to the radio:

- Fully extend the FM telescopic antenna.

## One Touch Radio

- This operation is effective only when the System is operated on AC power.

Just press the TUNER BAND button to turn on the System and start playing the station you were last tuned to.

- You can switch from any other sound source to the radio by pressing the TUNER BAND button.

## Tuning In a Station

### 1. Press the TUNER BAND button.

The Band and Frequency you were last tuned to appear on the display.

Each time you press the button, the band and FM mode change as follows:

FM → FM-MONO → AM → (back to the beginning)

- In FM mode, when you tune in an FM broadcast and the "STEREO" indicator lights up, you can hear stereo effects. If an FM stereo broadcast is hard to receive or noisy, select FM-MONO mode. The "STEREO" indicator will go out. Reception improves, but you lose any stereo effect.

### 2. Select a station using one of the following methods.

■ Manual Tuning

Press the ◀◀ or ▶▶ button repeatedly to move from frequency to frequency until you find the station you want.

OR

■ Auto Tuning

If you press and hold the ◀◀ or ▶▶ button for one second or more, the frequency changes down, or up, automatically until a station is found.

OR

### ■ Preset Tuning (Possible only after presetting stations)

Select the desired preset number (displayed as "P-XX" on the display) using the PRESET TUNING button on the Unit or the number keys on the Remote control. After 1 second, the display will show the preset number's band and frequency.

P-12 → FM 103.50

(After 1 second)

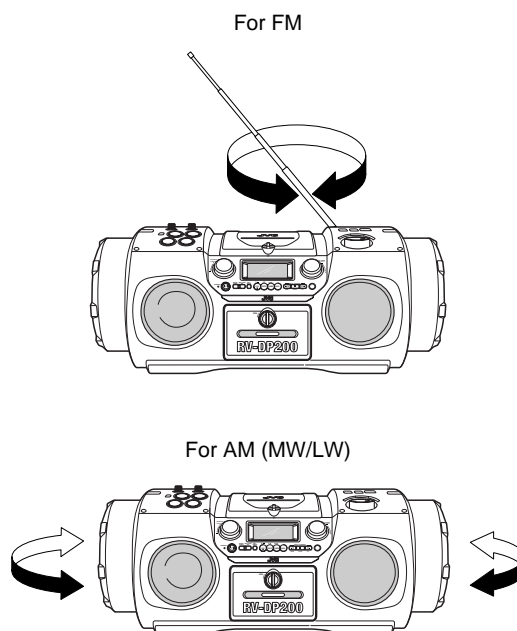
**PRESET TUNING button:** Each time you press the button, the preset number increases.

**Number keys:**

- To select P-5, press 5.
- To select P-15, press +10 then 5.
- To select P-20, press +10 once then press 10.

### 3. Turn the FM antenna for the best reception.

For an AM (MW/LW) broadcast, turn the Unit to obtain the best reception. Placing the Unit near the window, for example, will improve AM reception.

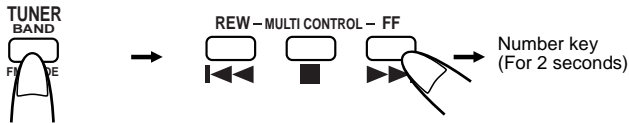


## Presetting Stations

You can preset up to 30 FM stations and up to 15 AM (MW/LW) stations.

**Note:** Preset numbers may have been set to factory test frequencies prior to shipment. This is not a malfunction. You can preset the stations you want into memory by following one of the presetting methods below:

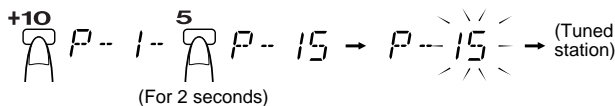
### Manual Presetting



- 1. Select a band (either AM or FM/FM-MODE) by pressing the TUNER BAND button.**
- 2. Press the <◀◀ or ▶▶ button to tune in a station.**
- 3. Press the number key for more than two seconds to store in memory for the desired preset number.**

The preset number blinks for four seconds and then the preset station for the preset number appears.

**Example:** To preset the tuned station to the preset number 15, press +10 then 5 for more than two seconds. The display changes as follows.

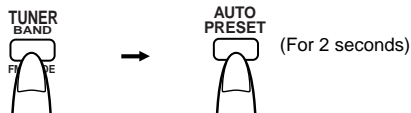


- 4. Repeat above steps 1 to 3 for each station you want to store in memory with a preset number.**

To change the preset stations, repeat the same steps as above to overwrite a new station.

### Auto Presetting

In each band, you can automatically preset FM-30, AM(MW/LW)-15 stations. Preset numbers will be allocated as stations are found, starting from the lowest station and moving up the frequency.



- 1. Select a band (either AM or FM/FM-MODE) by pressing the TUNER BAND button.**
- 2. Press one of the following buttons.**

**On the Unit:**

Press the PRESET TUNING button for more than two seconds.

**On the Remote Control:**

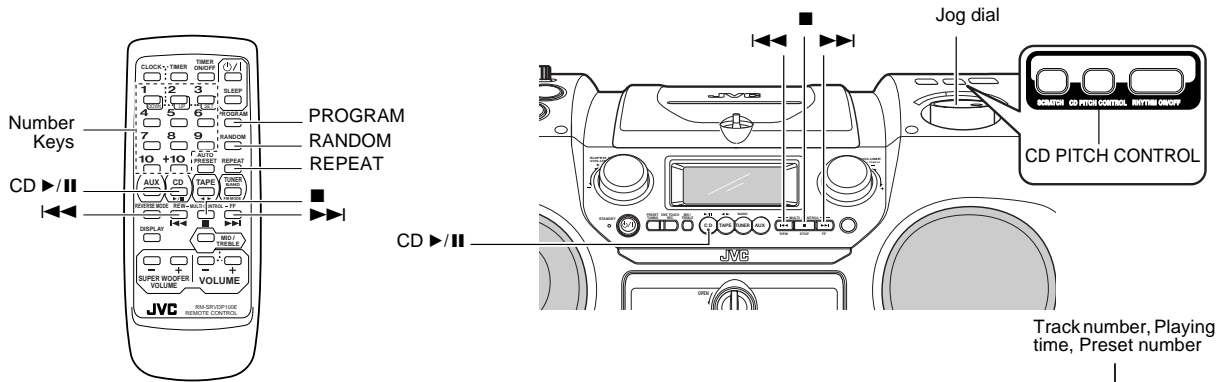
Press the AUTO PRESET button on the Remote Control for more than two seconds.

- 3. Repeat steps 1 and 2 for the other band.**

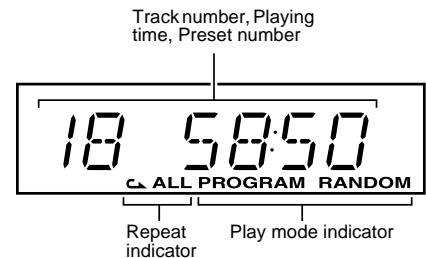
■ If you want to change the preset stations, carry out the Manual Presetting for the desired preset numbers.

**CAUTION:** To prevent the preset stations from being erased because of a power failure, etc., install memory backup batteries in the System. (See page 4.)

# Using the CD Player



When the System is in use, the display shows other items as well. For simplicity, we show here only the items described in this section.



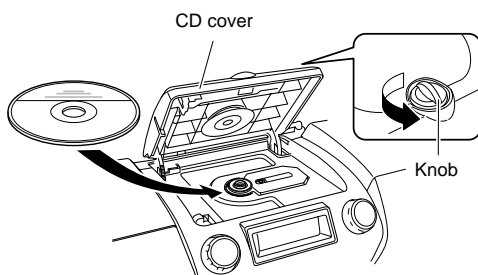
You can use Normal, Random, Program or Repeat Play. Repeat Play can repeat all the tracks or just one of the tracks on the CD. Here are the basic things you need to know to play a CD and locate the different tracks on it.

## The Quickest Way To Start a CD Is With the One Touch Operation (effective only when the System is operated on AC power)

- Press the CD ►/|| button.
- The power is automatically turned on. If a CD is already inserted, it will start playing from the first track.
- If no CD is inserted, "NO DISC" appears on the display and the CD Player remains in Stop mode.

## Setting a CD

1. Turn the CD cover knob counterclockwise to open the CD cover.
2. Place a CD, with its label side up as shown below.



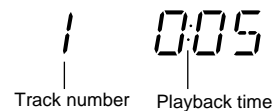
3. Close the CD cover until it clicks.
  - To remove the CD, open the CD cover in Stop mode.
  - You can place an 8 cm (3") CD without an adaptor.
  - If the CD cannot be read correctly (because it is scratched, for example), "0 0:00" appears on the display.
  - You can place a CD while listening to the other source.

## Basics of Using the CD Player-Normal Play

### To Play a CD

1. Set a CD.
2. Press the CD ►/|| button.

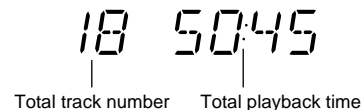
The first track of the CD begins playing.



- The CD Player automatically stops when the last track of the CD has finished playing.

To stop playing the CD, press the ■ button.

The following information for the CD is displayed.



To pause, press the CD ►/|| button. The playback time blinks on the display.

To cancel pause, press the same button again. Play continues from the point where it was paused.

**Note:** Do not open the CD cover during playback.

### Locating a Track with Remote Control Directly

During playback or in Stop mode, press the number keys on the Remote Control to directly play a track.

To directly play the track 5, press 5.

To directly play the track 15, press +10 then 5.

To directly play the track 20, press +10 once then press 10.

## To Select a Track

During playback, press the ◀◀ or ▶▶ button to select the track you want.

The selected track starts playing.

- Press the ▶▶ button once to skip to the beginning of the next track.
- Press the ◀◀ button to skip to the beginning of the track being played. Press the ◀◀ button twice quickly to skip to the beginning of the previous track.

You can also select a track in Stop mode with the same buttons. When the button is pressed, the selected track and its playback time appear on the display. To play the CD after selecting a track, just press the CD ▶/|| button.

## Search Play

Holding down the ◀◀ or ▶▶ button, during playback, will fast forward/backwards the CD so you can quickly find a particular passage in the track you are listening to. During Search Play, you can hear the sound of approx. one fourth level.

## Programming the Playing Order of the Tracks

You can program the playing order of the tracks using the Remote Control.

- You can program up to 20 tracks in any desired order including the same tracks.
- You can only make a program when the CD Player is stopped.

### 1. Set a CD.

### 2. Press the CD▶/|| button.

### 3. Press the ■ button to stop the CD.

### 4. Press the PROGRAM button.

The System enters the programming mode and the "PROGRAM" indicator lights up.



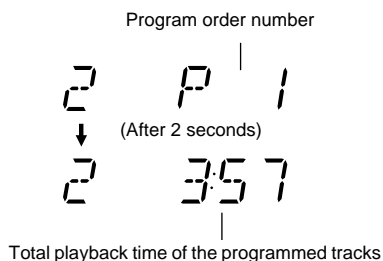
### 5. Press the number keys to select the track to program.

To select the track 5, press 5.

To select the track 15, press +10 then 5.

To select the track 20, press +10 once then press 10.

**Example:** for track 2, press 2.



### 6. Repeat step 5 to select the other tracks for the program.

You can see the total playback time of the programmed tracks on the display.

- To cancel the last track programmed, press the ■ button once.

### 7. Press the CD ▶/|| button.

The System plays the tracks in the order you have programmed them.

- You can skip to a particular program track by pressing the ◀◀ or ▶▶ button during Program Play.

**To confirm the programmed tracks while the CD player is stopped,** press the ◀◀ or ▶▶ button; the tracks making up the program will successively be displayed in the programmed order.

**To delete all the tracks in the program,** press the ■ button repeatedly until all the tracks are cleared. Turning off the power will also clear the programmed tracks.

**To exit Program mode,** while the CD Player is stopped, press the PROGRAM button to turn off the "PROGRAM" indicator. To restore Program mode, in Stop mode, press the same button to light on the "PROGRAM" indicator.

### Notes:

- If the total playback time of the programmed tracks exceeds 99 minutes 59 seconds, the total playback time will go out on the display.
- When the CD contains more than 21 tracks:  
When you try to program a track number exceeding 20 (for example the 25th track), the total playback time indication will go out, though programming is possible.

## To Modify the Program

Modify the contents of the program while the CD Player is stopped. Each time you press the ■ button, the last track in the program is deleted. To add new tracks to the end of the program, repeat above steps 5 and 6.

## Random Play

The tracks will play in no special order when you use this mode.

### 1. Press the RANDOM button on the Remote Control.

The "RANDOM" indicator lights up on the display.

### 2. Press the CD▶/|| button.

The tracks are played in random order once.

**To skip a track during playback,** press the ▶▶ button to jump to the next track in the random sequence. Press the ◀◀ button to jump back to the start of a track being played.

**To exit Random Play mode,** press the RANDOM button to turn off the "RANDOM" indicator after pressing the ■ button to stop the CD Player, or turn off the power.

## Repeating Tracks

You can repeat the tracks or individual track as many times as you like.

### Press the REPEAT button on the Remote Control.

The Repeat indicator changes with each press of the button, as shown below.

↔ → ↔ ALL → blank display → (back to the beginning)

↔ : Repeats one track.

↔ ALL : In Normal Play mode, repeats all the tracks.

In Program Play mode, repeats all the tracks in the program.

In Random Play mode, repeats all the tracks in random order.

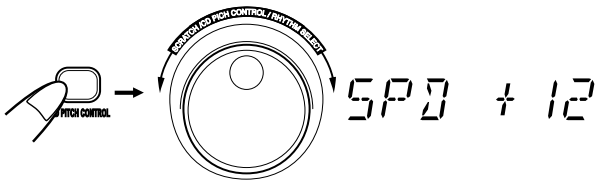
**To exit Repeat mode,** press the REPEAT button until the Repeat indicator on the display goes out.

- In Random Play, ↔ cannot be selected.

- Repeat mode remains in effect even when you change the play mode.

## CD Pitch Control

During playback a CD, you can change the playback pitch (playback speed) of the CD within  $\pm 12\%$ .



**1. During playback, press the CD PITCH CONTROL button on the Unit.**

The current CD pitch will appear on the display for five seconds.

**2. Within five seconds, turn the Jog dial to increase or decrease the CD pitch.**

Turning the Jog dial clockwise increases the pitch and turning it counterclockwise decreases the pitch.

You can adjust the CD pitch between  $-12$  and  $+12$ .

SPD  $+12$ : 112% speed

SPD  $\pm 0$ : Normal speed (100%)

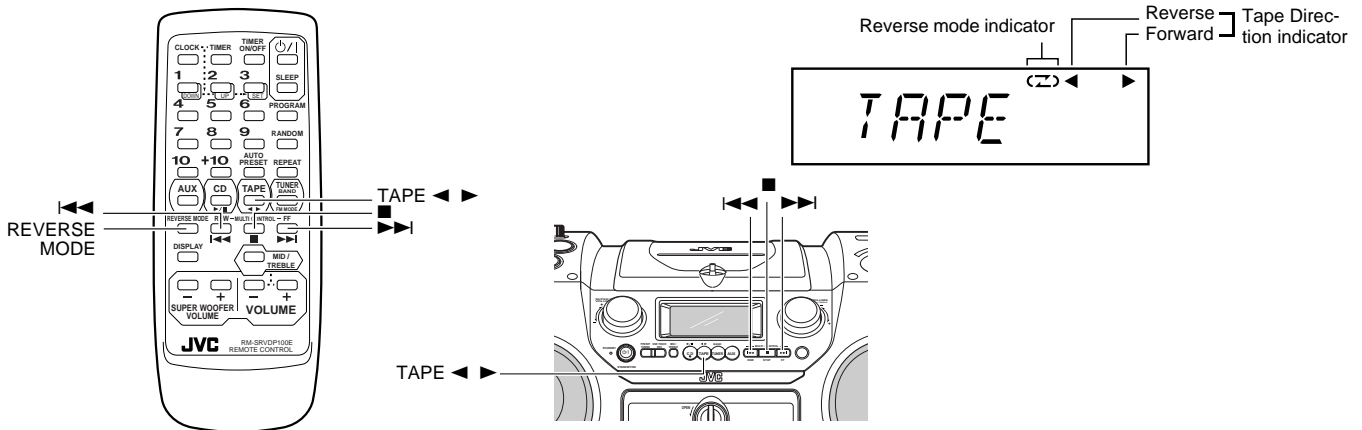
SPD  $-12$ : 88% speed

**Note:** The CD pitch returns to the original one (normal speed) with the following operations:

- Other music source except the Rhythm Machine (for example, Tuner) is selected.
- Power is turned off.



# Using the Cassette Deck (Listening to a Tape)



The Cassette Deck allows you to play and record audio tapes.  
**■** With Automatic Tape Detection, you can listen to type I, II or IV tapes without having to change any settings.

The use of tapes longer than 120 minutes is not recommended, since characteristic deterioration may occur and these tapes easily jam in the pinch-rollers and the capstans.

## One Touch Play

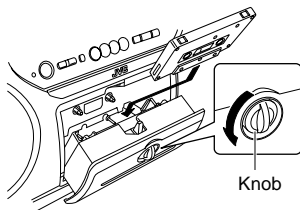
This operation is effective only when the System is operated on AC power.

By pressing the TAPE ◀ ▶ button on the Unit or the Remote Control, the System will come on, "TAPE" appears on the display, and if a tape is in the deck, it will start to play. If no tape is loaded, insert a tape, or select other function.

## Regular Play

When the power is already on, you can use this basic procedure:

- 1. Turn the cassette holder knob counterclockwise to open the cassette holder.**
- 2. Put the cassette in, with the side you want to listen facing toward you.**



- 3. Close the holder gently until it clicks.**
- 4. Press the TAPE ◀ ▶ button.**

The tape is played in the direction shown by the Tape Direction indicator. The Tape Direction indicator ▶ (Forward) or ◀ (Reverse) blinks slowly.

### ▶ (Forward playback):

The side of the tape facing you is played back.

### ◀ (Reverse playback):

The opposite side of the tape is played back.

- 5. If you need to change the playback direction, press the TAPE ◀ ▶ button.**

The opposite side Tape Direction indicator lights up and the tape playback direction changes.

**To stop playing**, press the ■ button.

**To remove the tape**, stop the tape, and open the cassette holder by turning the cassette holder knob counterclockwise.

## To Fast-Wind A Tape

Press the ▶▶▶ or ◀◀◀ button to fast-wind the tape. The Tape Direction indicator ▶ or ◀ will rapidly blink on the display.

- The Cassette Deck automatically stops when the tape reaches its end.

The following table shows the relationship between the Tape Direction indicator and the actual tape travelling direction in each mode. The tape travelling direction is indicated by the blinking indicator.

[Tape Direction indicator and tape travelling direction in each mode]

	Stop	Playback	▶▶▶ FF	◀◀◀ REW
Forward	▶	▶ (Slow)	▶▶▶ (Rapid)	▶▶▶ (Rapid)
Reverse	◀	◀ (Slow)	◀◀◀ (Rapid)	◀◀◀ (Rapid)

\*Blinking indicator shows the tape travelling direction.

## Reverse Mode

You can set a tape to play just one side, both sides in succession, or both sides continuously.

**Press the REVERSE MODE button on the Remote Control.**

The Reverse mode indicator changes with each press of the button as shown.

◀▶ → ◀▶ → ◀▶ → (back to the beginning)

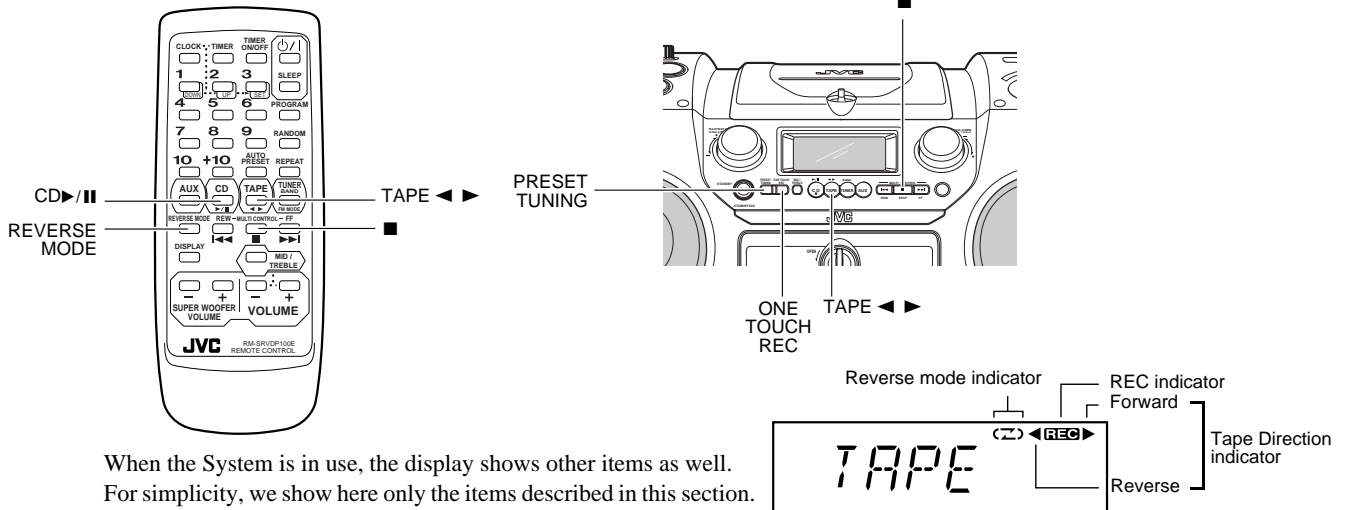
◀▶ : The Cassette Deck automatically stops after playing one side of the tape.

◀▶ : The Cassette Deck automatically stops after playing both sides of the tape. (Stops when playback in the reverse (◀) direction is finished.)

◀▶ : The Cassette Deck continues to play both sides of the tape until the ■ button is pressed.



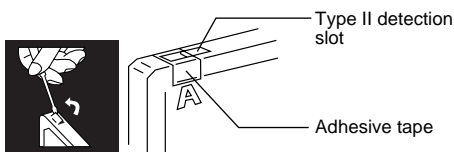
# Using the Cassette Deck (Recording)



Recording onto a tape from any of the sound sources is simple. Just place a tape in the Cassette Deck, have the source ready, make one or two settings, and you're ready to record. For each source the procedure is a little bit different so we explain each separately. But first, here are a few things to make your recordings better.

## Things To Know Before You Start Recording

- It should be noted that it may be unlawful to re-record per-recorded tapes, records, or discs without the consent of the owner of copyright in the sound or video recording, broadcast or cable programme and in any literary, dramatic, musical, or artistic work embodied therein.
- When you want to record onto both sides of a tape, you can set Reverse mode to do so. Recording automatically stops after recording in the reverse (◀) direction. Therefore, make sure that the tape direction is forward (▶) when recording with Reverse mode on.
- The recording level, which is the volume at which the new tape is being made, is automatically set correctly, so it is not affected by the VOLUME control on the System. Nor is it affected by adjusting the sound effects. Thus, during recording you can adjust the sound you are actually listening to without affecting the recording level.
- Two small tabs on the back of the cassette tape, one for side A and one for side B, can be removed to prevent accidental erasure or recording.
- To record on a cassette with the tabs removed, you must cover the holes with adhesive tape first. However, when a type II tape is used, only cover part of the hole as shown, since the other part of the hole (Type II detection slot) is used to detect the tape type.



- Type I and Type II tapes can be used for recording.

**Note:** At the start and end of cassette tapes, there is leader tape which cannot be recorded onto. Thus, before recording, wind on the leader tape first to ensure getting the beginning of the recording.

**CAUTION: If a recording you make has excessive noise or static, the System may have been too close to a TV which was on during the recording. Either turn off the TV or increase the distance between the TV and the System.**

## Standard Recording

You can record any sound source to tape. The sources are CD, Tuner, auxiliary equipment, Rhythm Machine, microphone and guitar. The microphone sound and guitar sound can be mixed with any source. Also, you can mix the sound from the Rhythm Machine with the CD or auxiliary equipment.

### 1. Insert a blank or erasable cassette tape into the Cassette Deck.

Be sure that the Tape Direction indicator and the tape insertion direction are as follows:

#### [Forward recording]

Tape Direction indicator	Tape insertion direction
▶ (Forward)	 (Front view)

\*Recording will be made on the tape side facing you.

- If the Tape Direction indicator ◀ (Reverse) is lit, press the TAPE ◀ ▶ button to change the direction. (In this case, since the tape is played, you need to press the ■ button. Then, press the ◀◀ button to rewind the tape. You may need to wind past the leader tape which cannot be recorded onto.)
- If the inserted tape is not fully rewound, press the ◀◀ button to rewind it. You may need to wind past the leader tape which cannot be recorded onto.

**2. If you want to record on both sides of the tape, press the REVERSE MODE button on the Remote Control to set the System in Reverse mode.**

Press the button until  $\curvearrowright$  indicator is lit.

**3. Prepare the source, by, for example, tuning in a radio station, playing the Rhythm Machine, or turning on the connected auxiliary equipment.**

**Note:** For CD recording, refer to "CD Direct Recording" described below.


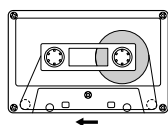
**4. Press the ONE TOUCH REC button on the Unit.**

The "REC" indicator lights up and the System starts recording.

- If the tab of the cassette tape is removed to protect erasure or recording, recording does not start.

**TIP:** When you want to record in the reverse direction, you should set the Tape Direction indicator and the cassette tape as follows in step 1. Next, start from step 3.

**[Reverse recording]**

Tape Direction indicator	Tape insertion direction
 (Reverse)	 (Front view)

\*Recording will be made on the opposite side tape.

**To stop at any time during the recording process, press the ■ button.**

**Recording an AM station to tape**

When recording an AM broadcast, beats may be produced which are not heard when listening to the broadcast. If this happens, press the PRESET TUNING button on the Unit to eliminate the beats.

1. Set to AM station and start recording.
2. Press the PRESET TUNING button to eliminate the beats.  
Each time you press the button, the display changes as shown below:  
**CUT-1 → CUT-2 → CUT-3 → CUT-4 → (back to the beginning)**


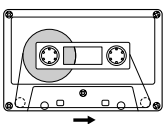
**CD Direct Recording**

Everything on the CD goes onto the tape in the order it is on the CD, or according to the order you have set in a program.

**1. Insert a blank or erasable cassette tape into the Cassette Deck.**

Be sure that the Tape Direction indicator and the tape insertion direction are as follows:  
(For details, refer to step 1 in "Standard Recording" on page 14.)

**[Forward recording]**

Tape Direction indicator	Tape insertion direction
 (Forward)	 (Front view)

\*Recording will be made on the tape side facing you.

**2. If you want to record on both sides of the tape, press the REVERSE MODE button on the Remote Control to set the System in Reverse mode.**

Press the button until  $\curvearrowright$  indicator is lit.

**3. Set a CD.**

**4. Press the CD ►/II button.**

**5. Press the ■ button.**

- If you want to record specific tracks only, program the tracks first. You can check their total playback time on the display during programming. (See page 11.)

**6. Choose whether to have pauses between recorded selections.**

- If nothing is done, a non-recorded pause of about four seconds will be automatically left between selections.
- If you do not want pauses between selections, do the following before proceeding to the next step.  
Press the CD ►/II button twice to enter Pause mode.

**7. Press the ONE TOUCH REC button on the Unit.**

The "REC" indicator lights up and the System starts recording.

- If you make a recording with Reverse mode on, the System will record the last song at the end of the first side onto the next side from its beginning when the song has been recorded more than 10 seconds on the first side.  
If the last song has been recorded less than 10 seconds, then the previous song will again be recorded on the next side as it will not be completely recorded on the first side because of leader tape.
- After the CD Player has played the entire CD, or all the programmed tracks, the tape automatically stops.

**To stop at any time during the recording process, press the ■ button.** The tape stops after four seconds.

**Notes:**

- When making SLEEP timer settings while doing CD Direct recording, set enough time to allow for the CD to finish playing, otherwise the power will go off before recording is completed.
- When the CD PITCH CONTROL is used for recording, note that the recordable length of time varies according to the pitch (speed).

**Example:**

Normal pitch: 10 tracks can be recorded.

Slow pitch: Only 9 tracks can be recorded.

**One Track Recording**

You can record the one CD track being played.

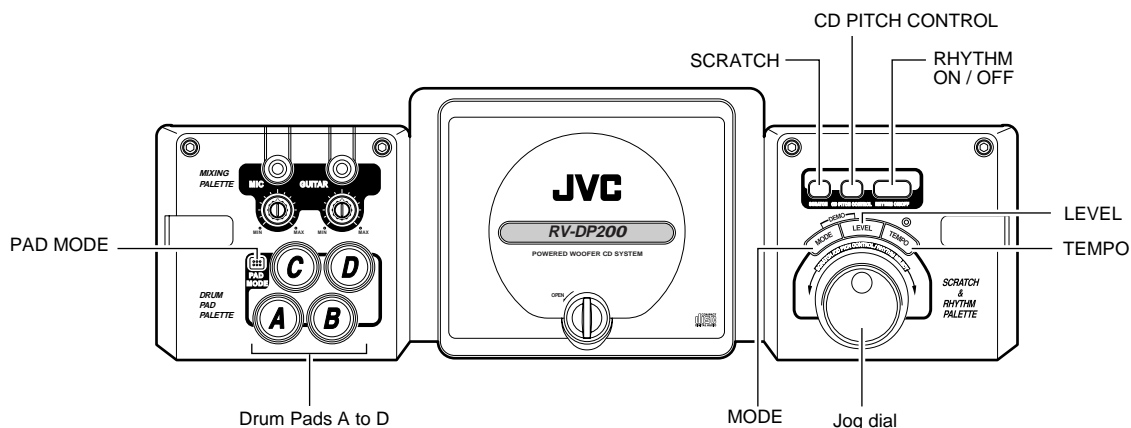
**1. Insert a blank or erasable cassette tape into the Cassette Deck.**

**2. Play the track on the CD you wish to record.**

**3. Press the ONE TOUCH REC button on the Unit.**

The CD Player returns to the beginning of that track and the track is recorded on the tape. After recording, the CD Player and the Cassette Deck automatically stop.

# Using the Rhythm Machine



You can enjoy to play the Rhythm Machine that can generates many sound patterns shown below.

- **Ambient pattern** : WAVES and BIRDS
- **Rhythm pattern** : 36 rhythm patterns
- **Scratch sound** : 2 scratch sounds using the Jog dial on the Unit
- **Drum pad pattern** : 20 pad patterns using the Drum Pads A to D on the Unit

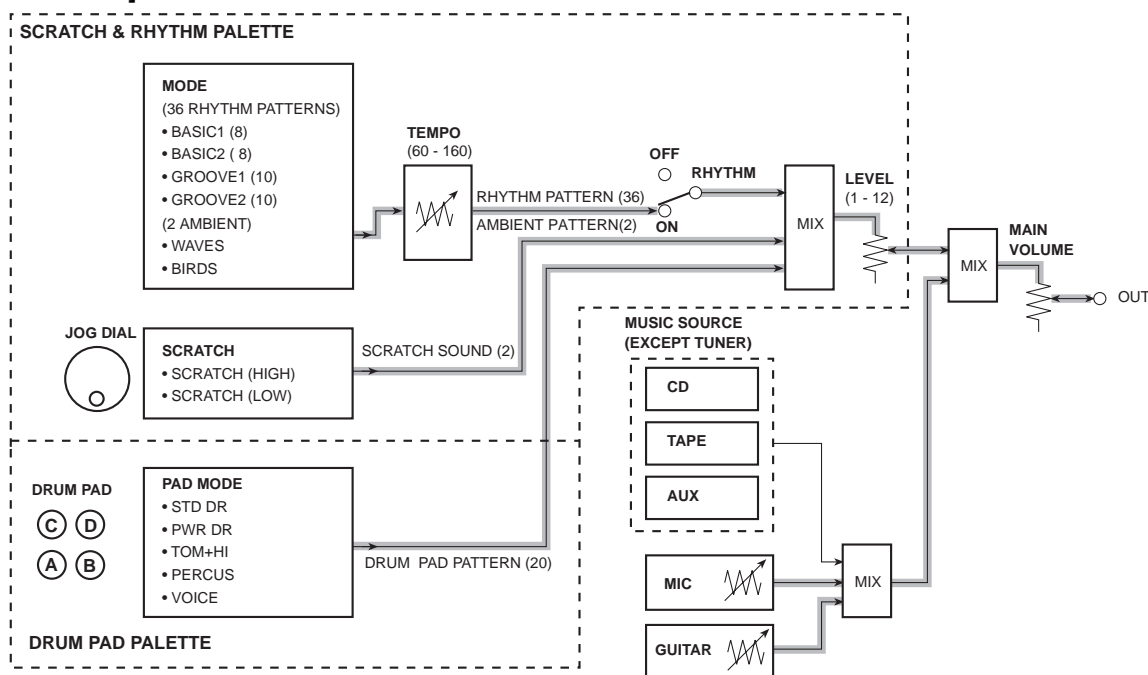
You can play the Rhythm Machine alone or you can play it while the other music source except Tuner is played.

The following shows the functional block diagram of the Rhythm Machine. As an example, signal flows that may be used are shown with the thick gray lines. From this example, you can see that the scratch sound and the drum pad pattern can be mixed with the Rhythm pattern. Also, you can see that the music source (MIC and guitar in this example) can be mixed with the output of the Rhythm Machine.

**Tip:** When you are playing a CD as a mixing source, you can change the playback pitch (playback speed) of the CD within  $\pm 12\%$ , by using the CD PITCH CONTROL button and Jog dial on the Unit. For details, see "CD Pitch Control" on page 12.

**Note:** The Rhythm Machine does not work if Tuner is selected.

## [RHYTHM MACHINE]



### Limitation on Rhythm Pattern's Sound:

The Rhythm Machine has three sound sources and the maximum number of sounds that can be generated from the Rhythm Machine at a time is three.

Since two or three sounds are used for playing the rhythm pattern, the available sounds for playing the rhythm pattern will be reduced when you generate the pad pattern and/or scratch sound. In this case, the rhythm pattern's sound will be changed.

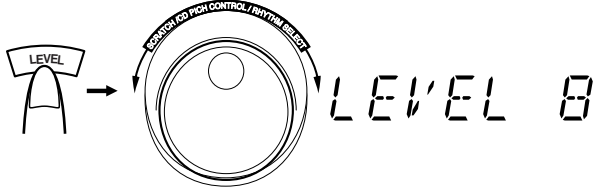
### Example:

The 8 BEAT-1 rhythm pattern you are playing uses three sounds.

- When you generate the pad pattern by pressing the Drum Pad A or when you generate the scratch sound by turning the Jog dial, the number of sounds that will be assigned to the 8 BEAT-1 rhythm pattern will be reduced to two.
- When you generate the pad pattern and scratch sound at the same time, the number of sounds that will be assigned to the 8 BEAT-1 rhythm pattern will be reduced to one

## Basic Operation-Adjusting the Rhythm Machine Volume

You can adjust the volume for the Rhythm Machine at any time except when Tuner is selected.



### 1. Press the LEVEL button on the Unit.

The current level will appear on the display for five seconds.

### 2. Within five seconds, turn the Jog dial to increase or decrease the volume level.

You can adjust the volume level for the Rhythm Machine between 1 and 12.

## Playing the Rhythm Pattern

You can play one of 36 rhythm patterns or one of 2 ambient patterns shown in the "36-Rhythm/2-Ambient Pattern Table".

### [36-Rhythm / 2-Ambient Pattern Table]

TEMPO: Initial Setting

#### ■ BASIC1 (8 patterns)

##### 2/4/8 BEAT Basic Rhythm Group:

Can be used for rock, pop, jazz and other music genres.

Can also be used for instrument practice or dance instruction.

No.	Pattern Name	Tempo	Contents/Character
1	8BEAT-1	120	8BEAT pattern No. 1. 8 Beat Basic Pattern, Ideal for rock and pop.
2	8BEAT-2	132	8BEAT pattern No. 2. 8 Beat With Fill-In. Ideal for Rock Type Interval Sections, etc.
3	8BEAT-3	120	8BEAT pattern No. 3. Medium Tempo 8 Beat. Ideal for Slow Rock.
4	8BEAT-4	120	8BEAT pattern No. 4. Medium Tempo 8 Beat. Ideal for After-Beat type.
5	2BEAT-1	120	2BEAT pattern No. 1. Power Type 2 Beat. Suited to Punk Rock.
6	2BEAT-2	120	2BEAT pattern No. 2. Suited to Hard Rock and Heavy Metal.
7	4BEAT-1	112	4BEAT pattern No. 1. Ideal for Modern Jazz and Bebop.
8	4BEAT-2	90	4BEAT pattern No. 2. Ideal for Modern Jazz. Accents with high hat.

#### ■ BASIC2 (8 patterns)

Ideal for playing at parties or for background music for latin or ethnic music from Latin America.

No.	Pattern Name	Tempo	Contents/Character
1	SAMBA	120	Suited to samba-like sound.
2	SALSA	120	Suited to salsa-like sound.
3	REGGAE	80	Suited to reggae-like sound.
4	JUNGLE1	140	Suited to ethnic music.
5	JUNGLE2	140	Suited to ethnic music.
6	16BEAT1	120	16 Beat Pattern No. 1 16 Beat Basic Pattern
7	16BEAT2	120	16 Beat Pattern No. 2 Ideal for techno-type 16 beat/pops.
8	16BEAT3	120	16 Beat Pattern No.3 Ideal for power type 16 beat.

#### ■ GROOVE1 (10 patterns)

Ideal for street performances with group music concentrating on "rap" or "house."

No.	Pattern Name	Tempo	Contents/Character
1	DR'B-1	160	Drum & Bass Pattern No. 1 Abbreviation for Drum & Bass
2	DR'B-2	160	Drum & Bass Pattern No. 2
3	DR'B-3	160	Drum & Bass Pattern No. 3
4	RAP-1	120	Rap Pattern No. 1 Rap Music: Simple rhythms plus talking voice
5	RAP-2	120	Rap Pattern No. 2
6	RAP-3	120	Rap Pattern No. 3
7	HOUSE-1	94	House Pattern No. 1 Common name for House Made Music
8	HOUSE-2	120	House Pattern No. 2
9	HOUSE-3	120	House Pattern No. 3
10	G-BEAT	94	Ground Beat Pattern Low tone + slow tempo and high hat for a laid-back sound.

**■ GROOVE2 (10 patterns)**

Ideal for creating and practicing the club sound which is popular now for group music concentrating on techno, funk and hip-hop.

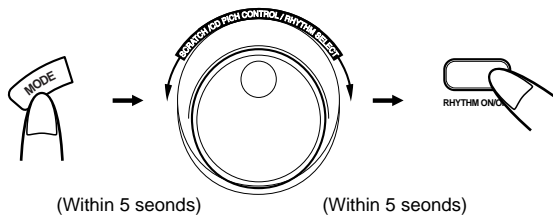
No.	Pattern Name	Tempo	Contents/Character
1	HIPHOP1	120	Hip-Hop Pattern No. 1 Hip-Hop Music
2	HIPHOP2	120	Hip-Hop Pattern No. 2
3	FUNK-1	120	Funk Pattern No. 1 Funk Music
4	FUNK-2	120	Funk Pattern No. 2
5	TECHNO1	120	Techno Pattern No. 1 Common name of Technology Music
6	TECHNO2	120	Techno Pattern No. 2 Common name of Technology Music
7	DANCE-1	120	Dance Pattern No. 1 Present dance scene. Image of Euro Disco type music.
8	DANCE-2	120	Dance Pattern No. 2 Power Disco image
9	DANCE-3	120	Dance Pattern No. 3 Street Dance image
10	MARIAN	120	Amusement Pattern with woman's voice (Marian).

**■ AMBIENT (2 patterns)**

**Tip:**

It may be a good idea that you use WAVES and BIRDS to fall asleep. For this setting, see "Setting the Sleep Timer" on page 24.

No.	Pattern Name	Contents/Character
1	WAVES	Wavers beat upon the seashore.
2	BIRDS	Birds sing.



**1. Press the MODE button on the Unit to select your favorite Rhythm mode.**

Each time you press the button, mode changes as follows.

**BASIC1**→**BASIC2**→**GROOVE1**→**GROOVE2**→ **AMBIENT**→ (back to the beginning)

- The display will return to the original one after five seconds.

**2. Within five seconds, turn the Jog dial to select your favorite rhythm pattern.**

Example 1:

If you select "BASIC1" in step 1, the pattern will change as follows as you turn the Jog dial clockwise.

**8BEAT-1**→**8BEAT-2**→... →**4BEAT-2**→ (back to the beginning)

Example 2:

If you select "AMBIENT" in step 1, the pattern will alternate as follows as you turn the Jog dial.

WAVES <--> BIRDS

**3. Press the RHYTHM ON/OFF button on the Unit.**

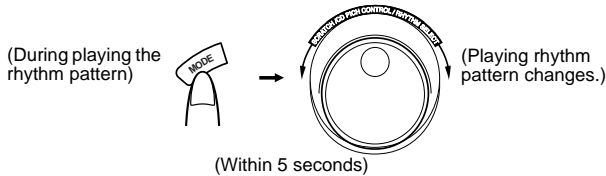
The selected pattern will be repeatedly played.

**To stop playing,** press the RHYTHM ON/OFF button once again. Switching the music source (e.g. from AUX to CD) will also stop playing.

**To restart playing,** press the RHYTHM ON/OFF button again, the current pattern appears on the display and playback starts.

**Note:** You cannot play the rhythm pattern if Tuner is selected.

## Changing the Playing Rhythm Pattern



- 1. During playing the rhythm pattern, press MODE button on the Unit to select your favorite Rhythm mode.**
- 2. Within five seconds, turn the Jog dial to select your favorite rhythm pattern.**  
The selected rhythm pattern will be played.

## Adjusting the Tempo During Playback

- 1. During playing the rhythm pattern, press the TEMPO button on the Unit.**  
The current tempo appears on the display for five seconds.

TMP 120

- 2. Within five seconds, turn the Jog dial to increase or decrease the tempo.**  
You can adjust the tempo between 60 and 160.
  - The tempo you have changed will be maintained even when the System is turned off. However, it will be reset to the initial value when you select other rhythm pattern.

## Generating Scratch Sound

You can generate two kinds of scratch sound (scratch-high and scratch-low) by turning the Jog dial.

The scratch sound can be mixed with the following all sources together.

- BIRDS, WAVES, or rhythm pattern generated from the Rhythm Machine
- Dram pad pattern generated from the Rhythm Machine
- Music source except Tuner
- MIC and Guitar inputs



- 1. Press the SCRATCH button on the Unit.**  
"SCRATCH" will appear on the display.

- 2. Turn the Jog dial to generate the scratch sound.**  
When you turn the Jog dial clockwise or counterclockwise, the scratch-high sound or scratch-low sound will be generated, respectively. When you turn the Jog dial rapidly, the scratch sound will be generated continuously.

To stop the scratch sound generation, press the SCRATCH button once again to display "OFF".

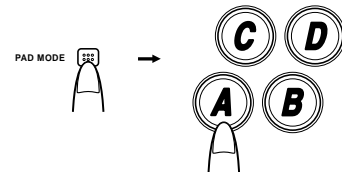
**Note:** You cannot generate the scratch sound if Tuner is selected.

## Generating the Pad Pattern

You can generate 20 pad patterns by pressing the Drum Pads A to D on the Unit. Pad patterns are assigned to the Drum Pads A to D in each Pad mode as shown in the "Pad Pattern Table".

The pad pattern can be mixed with the following all sources together.

- BIRDS, WAVES, or rhythm pattern generated from the Rhythm Machine
- Scratch sound generated from the Rhythm Machine
- Music source except Tuner
- MIC and Guitar inputs



- 1. Press the PAD MODE button on the Unit to select Pad mode.**

Each time you press the button, mode changes as follows.  
STD DR→PWR DR→TOM+HI→PERCUS→VOICE→OFF→(back to the beginning)

- 2. Press the Drum Pads A to D on the Unit.**

Each time you press the Pad, corresponding pad pattern which is shown in the "Pad Pattern Table" will be generated.

**Note:** You cannot play the Pad pattern if Tuner is selected.

[Pad Pattern Table]

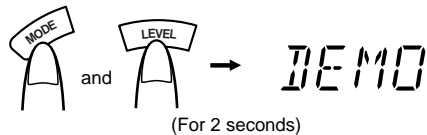
PAD MODE Pad	STD DR (Standard Drum)	PWR DR (Tom + Hihat)	TOM+HI (Tom & Hihat)	PERCUS (Percussion)	VOICE (Voice, etc.)	OFF
A	Standard-Bass Drum	Power-Bass Drum	High Floor Tom	High Agogo	Sum	—
B	Standard Snare	Power Snare	Low Floor Tom	Low Agogo	Yeh!	—
C	Standard-Closed Hihat	Power-Closed Hihat	Open Hihat	Open Hi Conga	AY!	—
D	Power-Crash Cymbal	Power-Crash Cym- bal	Pedal Hihat	Hand Clap	Engine	—

### Abbreviations:

**STD DR:** Standard drum kit (bass, snare, high-hat, cymbal) **PWR DR:**Power drum kit **TOM+HI:**Tomtom and high-hat group  
**PERCUS:**Percussion, ethnic percussion **VOICE:**Voice and onomatopoeic sounds

## Rhythm Machine Demo Mode

You can play the demo pattern repeatedly.



**1. When the Rhythm Machine is stopped, press and hold the MODE and LEVEL buttons on the Unit for more than two seconds.**

Demonstration starts and a series of demo pattern is played.

ENGINE→DR'B-1→DR'B-3→RAP-3→HIPHOP2→

FUNK-1→TECHNO1→HIPHOP1→DANCE2→

DANCE3→MARIAN→ (back to the beginning)

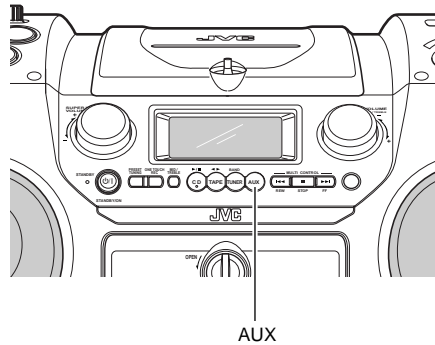
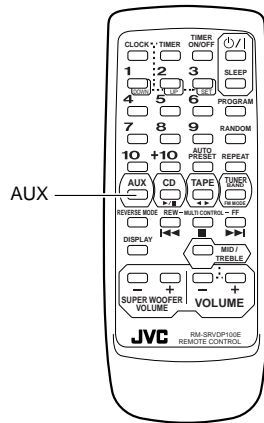
**2. Press the RHYTHM ON/OFF button on the Unit to stop playing the demo pattern.**

- Changing the music source (e.g. form AUX to CD) will also stop playing.

**Notes:**

- You cannot change the level and tempo of the demo pattern.
- You cannot play the demo pattern if Tuner is selected.

# Listening to an Auxiliary Equipment



## Listening to External Equipment

You can listen to an auxiliary equipment.

- First make sure that the auxiliary equipment is properly connected to the System.(See page 3.)

### 1. Set the volume level to minimum.

### 2. Press the **AUX** button.

"AUX" appears on the display.

AUX

- To listen to the auxiliary equipment, start playing the auxiliary equipment.

### 3. Adjust the volume to the desired listening level.

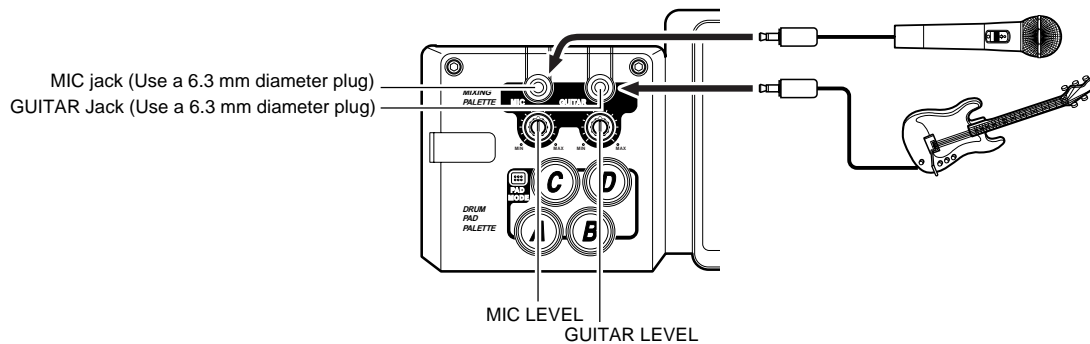
### 4. Apply sound effects, if you wish.

- Adjust the super woofer volume to reinforce the bass sound.
- Adjust the MID/TREBLE to control the tone. (See "Tone Control (MID/TREBLE)" on page 7.)

**Note:** For operation of the auxiliary equipment, refer to its Instructions.



# Using the Microphone/Guitar



## Microphone Mixing

Using a microphone (not supplied), you can mix the microphone sound with a source sound.

- 1. Set the MIC LEVEL control to MIN by turning it fully counterclockwise.**
- 2. Open the rubber cap and connect a microphone into the MIC jack on the Unit.**
- 3. Start a source: CD, tape, tuner, Rhythm Machine, or other equipment.**
- 4. Adjust the main volume and the MIC LEVEL control, as you sing into the microphone.**

## To Record Microphone Mixing on a Tape

- 1. Follow the above steps 1-4.**
- 2. To record, follow the steps in "Standard Recording". (See page 14.)**

**Note:** If "howling" occurs, keep the microphone away from the Unit.

## Guitar Mixing

Using a guitar, you can mix the guitar sound with a source sound.

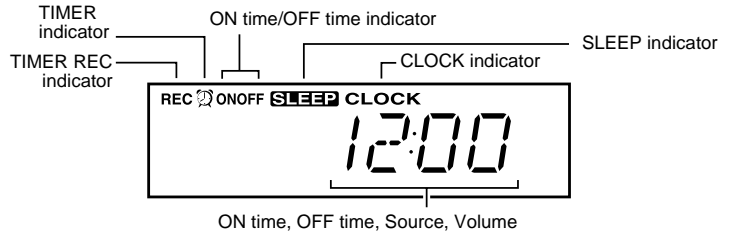
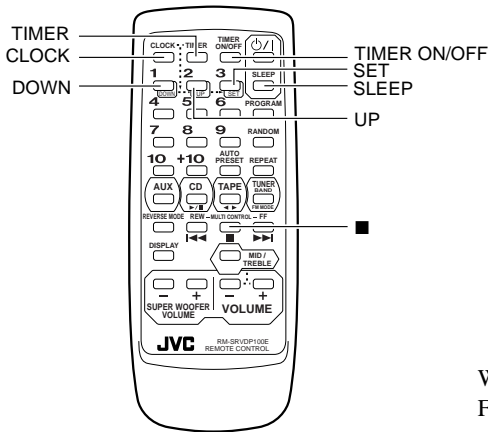
**CAUTION: DO NOT connect a bass guitar to the GUITAR jack, as it may damage the System.**

- 1. Set the GUITAR LEVEL control to MIN by turning it fully counterclockwise.**
- 2. Open the rubber cap and connect a guitar into the GUITAR jack on the Unit.**
- 3. Start a source: CD, tape, tuner, Rhythm Machine, or other equipment.**
- 4. Adjust the main volume and the GUITAR LEVEL control, as you play the guitar.**

## To Record Guitar Mixing on a Tape

- 1. Follow the above steps 1-4.**
- 2. To record, follow the steps in "Standard Recording". (See page 14.)**

# Using the Timers



When the System is in use, the display shows other items as well. For simplicity, we show here only the items described in this section.

The timers let you control listening and recording functions automatically.

## Setting the Clock

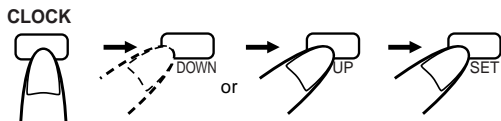
When you supply the power using one of the following ways, the "CLOCK" indicator blinks and "0:00" appears on the display. You need to set the clock.

- Plugging the AC power cord into the wall outlet
- Loading 10 batteries into the Unit
- Connecting car battery (DC12V)

**Use the Remote Control to set the clock.**

### Notes:

- The clock must be correctly set for the timers to work.
- The procedure must be completed within **two minutes**. Otherwise, the setting is cleared and must be repeated from the beginning.



### 1. Turn on the System.

### 2. Press the CLOCK button on the Remote Control.

The time indication blinks on the display.

### 3. Press the UP or DOWN button to set the time.

Press the UP or DOWN button to increase or decrease the time. Pressing and holding the button will change the time rapidly.

### 4. Press the SET button.

The selected time is set and the seconds start counting from 0. Then, the display returns to the original one.

**CAUTION: If memory backup batteries are exhausted or not installed, and the AC power cord is plugged in again after being disconnected, or power is restored after a power failure, "CLOCK" indicator will blink on the display. Set the current time (clock) again.**

## Setting the Daily Timer

Once you have set the Daily Timer, the timer will be activated at the same time every day, except for the Tuner REC timer which is used to record a broadcast on the tape. It can be cancelled and reactivated whenever you wish.

The Timer indicator (🕒) on the display shows when the Daily Timer you have set is in effect.

**Use the Remote Control to set the Daily Timer.**

**Note:** Perform each setting within **30 seconds**. Otherwise, setting is cleared and the procedure must be repeated from the beginning.

### 1. Turn on the System.

### 2. Setting the ON time (Example: 12:15).

1. Press the TIMER button on the Remote Control. The Timer indicator (🕒) and "ON" indicator light up and the current ON time blinks on the display.



2. Set the ON time by pressing the UP or DOWN button. Pressing and holding the button will change the time rapidly.



3. Press the SET button. The current OFF time blinks on the display.



### 3. Setting the OFF time (Example: 13:15).

1. Set the OFF time by pressing the UP or DOWN button.  
Pressing and holding the button will change the time rapidly.



2. Press the SET button.  
The music source "TUNER" blinks on the display.

### 4. Selecting the music source.

1. Press the UP or DOWN button to select the music source you want to listen to. The display changes as shown below:  
**TUNER→TUNER REC→CD→TAPE→RHYTHM→**  
(back to the beginning)

The "TUNER REC" (Tuner Recording) will be activated only when the system is operated on AC power.

- When you select the "TUNER REC", the "REC" indicator appears on the display.
  - When you select the "TUNER REC", the timer will be released after Tuner Recording has been finished.
2. Press the SET button.  
The volume level set by the previous time setting blinks on the display.

### 5. Setting the volume level.

1. Press the UP or DOWN button to select the volume level.  
— : The current volume level will be used.  
0 to 50: When the timer is turned on, the Volume will be automatically set to the selected level.



2. Press the SET button.  
The timer setting is completed and the display returns to the display before you set the timer. The Timer indicator ( ) remains lit.

### 6. Before turning off the System, prepare the music source selected in step 4.

- TUNER** : Tune in to the desired station.  
**TUNER REC**: Tune in to the desired station and insert a cassette tape for recording the station.  
**CD** : Set a CD.  
**TAPE** : Insert a tape.  
**RHYTHM** : Select your favorite pattern from the 36 rhythm patterns.

### 7. Turn off the System.

- When the timer turns on, the volume level gradually increases from 0 (zero) to the preset level in step 5.

**To cancel the operation**, press the TIMER button until the display returns to the original one.

**To cancel the timer**, press the TIMER ON/OFF button. The Timer indicator ( ) goes out on the display.

**To reactivate the cancelled timer**, press the TIMER ON/OFF button to light the Timer indicator ( ).

**To confirm the timer settings**, press the TIMER button. Then, press the SET button repeatedly to see the current timer settings (ON time, OFF time, source, and volume).

**To change the timer setting**, repeat the setting procedure from the beginning.

**CAUTION: If memory backup batteries are exhausted or not installed, and the AC power cord is disconnected or there is a power failure, time settings will be erased from memory. If this happens, set the current time (clock) and perform the timer setting again.**

## Setting the Sleep Timer

Use the Sleep Timer to turn the System off after a certain number of minutes when it is playing. By setting the Sleep Timer, you can fall asleep to music and know that your System will turn off by itself rather than play all night.

- You can only set the Sleep Timer when the System is on and a source is playing.

### 1. Play a CD, tape, tune in to the desired station, or play the Rhythm Machine.

If you play "WAVES" in the Rhythm Machine, you may fall asleep to the waves that beat upon the seashore.

### 2. Press the SLEEP button on the Remote Control.

The SLEEP indicator lights up on the display.



### 3. Set the length of time you want the source to play before shutting off.

- Each time you press the SLEEP button, it changes the number of minutes shown on the display in this sequence:  
→ 30 → 60 → 90 → 120 → Cancelled (Original display) →  
(back to the beginning)

After setting the number of minutes for the Sleep Timer, the display will stop blinking and return to the display as before setting the Sleep Timer.

The System is now set to turn off after the number of minutes you set.

#### To Confirm the Sleep Time:

When the SLEEP button is pressed, the remaining sleep time is displayed. Wait until the display returns to the original display.

#### To Cancel the SLEEP Timer Setting:

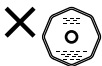
Press the SLEEP button until the original display appears on the display. Turning off the System also cancels the SLEEP Timer.

- If you are setting the Daily Timer, the System will be turned on at the set time to wake you up.

# Care And Maintenance

Handle your CDs carefully, and they will last a long time.

## Compact Discs



- Only CDs bearing this mark can be used with this System. However, continued use of irregular shape CDs (heart-shape, octagonal, etc.) can damage the System.



- Remove the CD from its case by holding it at the edges while pressing the case's center hole lightly.
- Do not touch the shiny surface of the CD, or bend the CD.



- Put the CD back in its case after use to prevent warping.
- Be careful not to scratch the surface of the CD when placing it back in the case.
- Avoid exposure to direct sunlight, temperature extremes, and moisture.



- A dirty CD may not play correctly. If a CD does become dirty, wipe it with a soft cloth in a straight line from center to edge.

**CAUTION: Do not use any solvent (for example, conventional record cleaner, spray thinner, benzine, etc.) to clean a CD.**

## General Notes

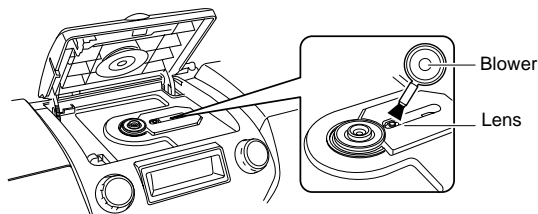
In general, you will have the best performance by keeping your CDs and the mechanism clean.

- Store CDs in their cases, and keep them in cabinets or on shelves.
- Keep the system's CD cover closed when not in use.

## Cleaning the lens

If the lens in the CD pickup is dirty, dropout, etc., could degrade sound. Open the CD cover and clean the lens as shown.

- Use a blower (available from a camera store) to blow dust off the lens.



- If there are fingerprints, etc. on the lens, gently wipe clean with a cotton swab.



## Moisture Condensation

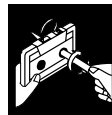
Moisture may condense on the lens inside the System in the following cases:



- After turning on heating in the room.
- In a damp room.
- If the System is brought directly from a cold to a warm place.

Should this occur, the System may malfunction. In this case, leave the System turned on for a few hours until the moisture evaporates, unplug the AC power cord, and then plug it in again.

## Cassette Tapes



- If the tape is loose, it may get stretched, cut, or caught in the cassette. Take up the slack by inserting a pencil in one of the reels and rotating.



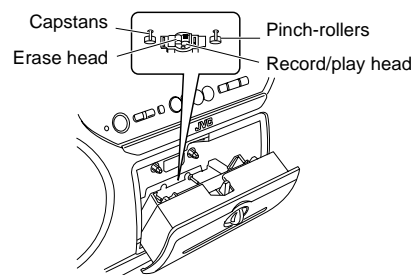
- Do not touch the tape surface.



- Do not store the tape:
  - In dusty places
  - In direct sunlight or heat
  - In moist areas
  - On a TV or speaker
  - Near a magnet

## Cassette Deck

- If the heads, capstans, or pinch-rollers of the Cassette Deck become dirty, the following may occur:
  - Loss of sound quality
  - Discontinuous sound
  - Fading
  - Incomplete erasure
  - Difficulty recording
- Clean the heads, capstans, and pinch-rollers using a cotton swab moistened with alcohol.



- If the heads become magnetized, the System will produce noise or lose high frequency notes.
- To demagnetize the heads, turn off the System, and use a head demagnetizer (available at electronics and record shops).

# Troubleshooting

- If you are having a problem with your System, check this list for a possible solution before calling for service.
- If you cannot solve the problem from the hints given here, or the System has been physically damaged, call a qualified person, such as your dealer, for service.

Symptom	Possible Cause	Action
No sound is heard.	<ul style="list-style-type: none"> <li>• Connections are incorrect, or loose.</li> <li>• Headphones are connected.</li> </ul>	<ul style="list-style-type: none"> <li>• Check all connections and make corrections. (See page 3.)</li> <li>• Disconnect the headphones.</li> </ul>
Unable to record.	Cassette record protect tabs are removed.	Cover the holes on the back edge of the cassette with tape.
Poor FM reception	The FM telescopic antenna is not properly extended and positioned.	Fully extend the FM telescopic antenna and turn it for the best reception.
The CD skips.	The CD is dirty or scratched.	Clean or replace the CD.
The CD does not play.	The CD is upside down.	Put the CD in with the label side up.
Unable to operate the Remote Control.	<ul style="list-style-type: none"> <li>• The path between the Remote Control and the sensor on the Unit is blocked.</li> <li>• The batteries have lost their charge.</li> </ul>	<ul style="list-style-type: none"> <li>• Remove the obstruction.</li> <li>• Replace the batteries.</li> </ul>
Operations are disabled.	The built-in microprocessor has malfunctioned due to external electrical interference.	Unplug the System then plug it back in after a few minutes.
The cassette holder cannot be opened.	During tape playing, the power cord was unplugged.	Plug in the power cord and press the $\odot/1$ button.

# Specifications

## Amplifier

Output Power	
(Max.)	20 W (10 W + 10 W) at 4 $\Omega$ (full range)
	40 W (20 W + 20 W) at 4 $\Omega$ , 60 Hz (woofer)
(10% THD)	10 W (5 W + 5 W) at 4 $\Omega$ (full range)
	32 W (16 W + 16 W) at 4 $\Omega$ , 60 Hz (woofer)
Input Sensitivity/Impedance (1 kHz)	
AUX IN	300 mV/47 k $\Omega$
MIC	200 $\Omega$ - 2 k $\Omega$ (6.3 mm dia. plug)
GUITAR	100 k $\Omega$ - 1 M $\Omega$ (6.3 mm dia. plug)
Output Sensitivity/Impedance (1 kHz)	
Phones	16 $\Omega$ - 1 k $\Omega$
	0 - 12 mW/ch output into 32 $\Omega$

## Cassette Deck

Frequency Response	
TypeII (CrO <sub>2</sub> )	60 Hz - 14 kHz
Wow and Flutter	0.15% (WRMS)

## CD Player

Wow And Flutter	Unmeasurable
-----------------	--------------

## Tuner

FM Tuner	
Tuning Range	87.5 MHz - 108.0 MHz
AM Tuner	
Tuning Range	(MW) 522 kHz - 1 629 kHz (LW) 144 kHz - 288 kHz
Antenna	FM telescopic antenna Ferrite core antenna for AM (MW/LW)

## Speakers

Full range	8 cm $\times$ 2, 4 $\Omega$
Super woofer	16 cm $\times$ 2, 4 $\Omega$

## General

Dimensions	634 mm $\times$ 256.5 mm $\times$ 311 mm (W/H/D)
Mass	10.2 kg (without batteries) 11.3 kg (with batteries)

## Accessories

Power Cord (1)
Remote Control (1)
Batteries R6P (SUM-3) / AA (15F) (2)
Shoulder Strap (1)

## Power Specifications

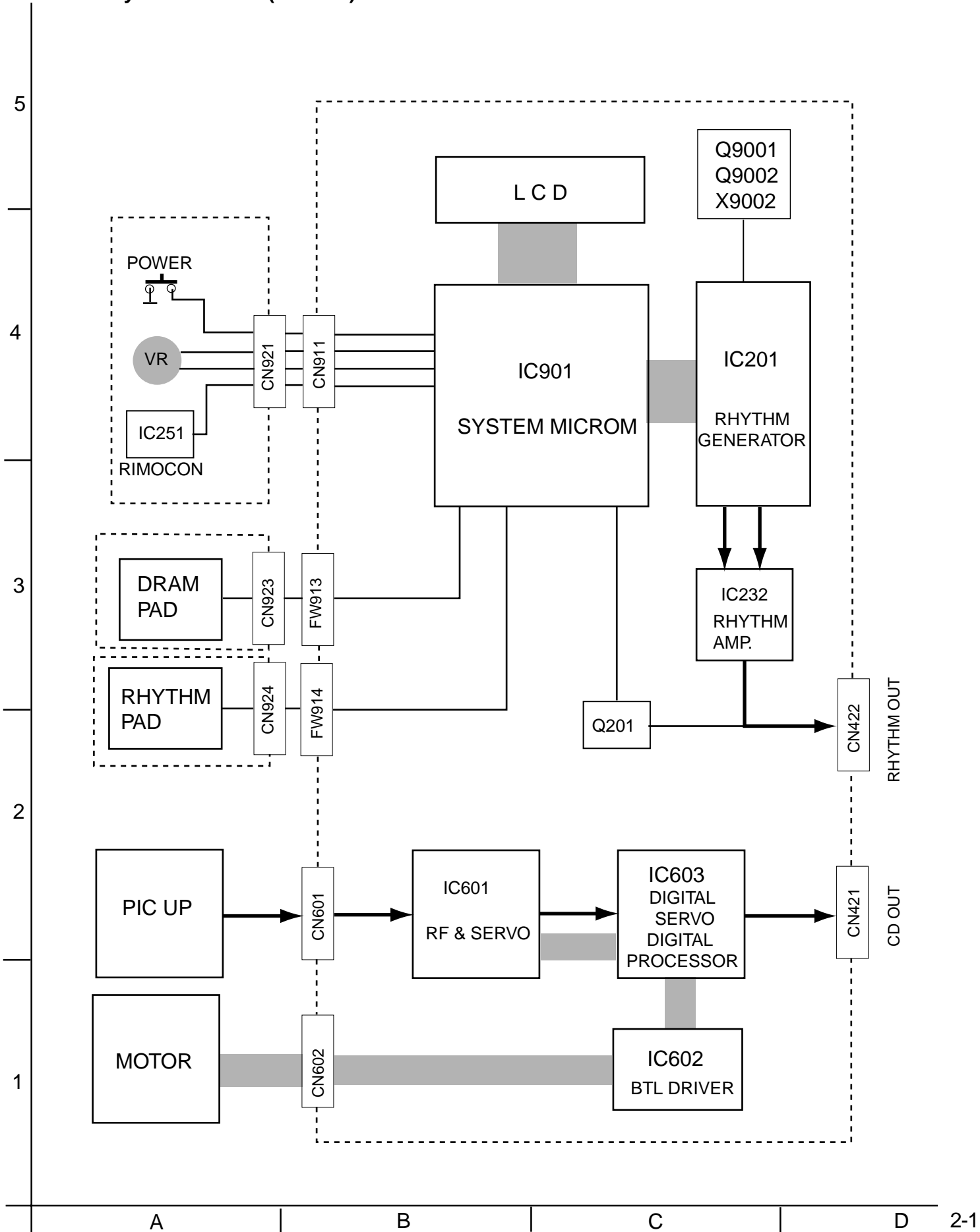
Power Requirements	AC 230 V ~ , 50 Hz DC15V ("R20/D (13F)" batteries (10)) External DC12V (car battery via optional CA-R120E car adaptor)
Power Consumption	44 W (power on mode) 2 W (in Standby mode)

*Design and specifications are subject to change without notice.*



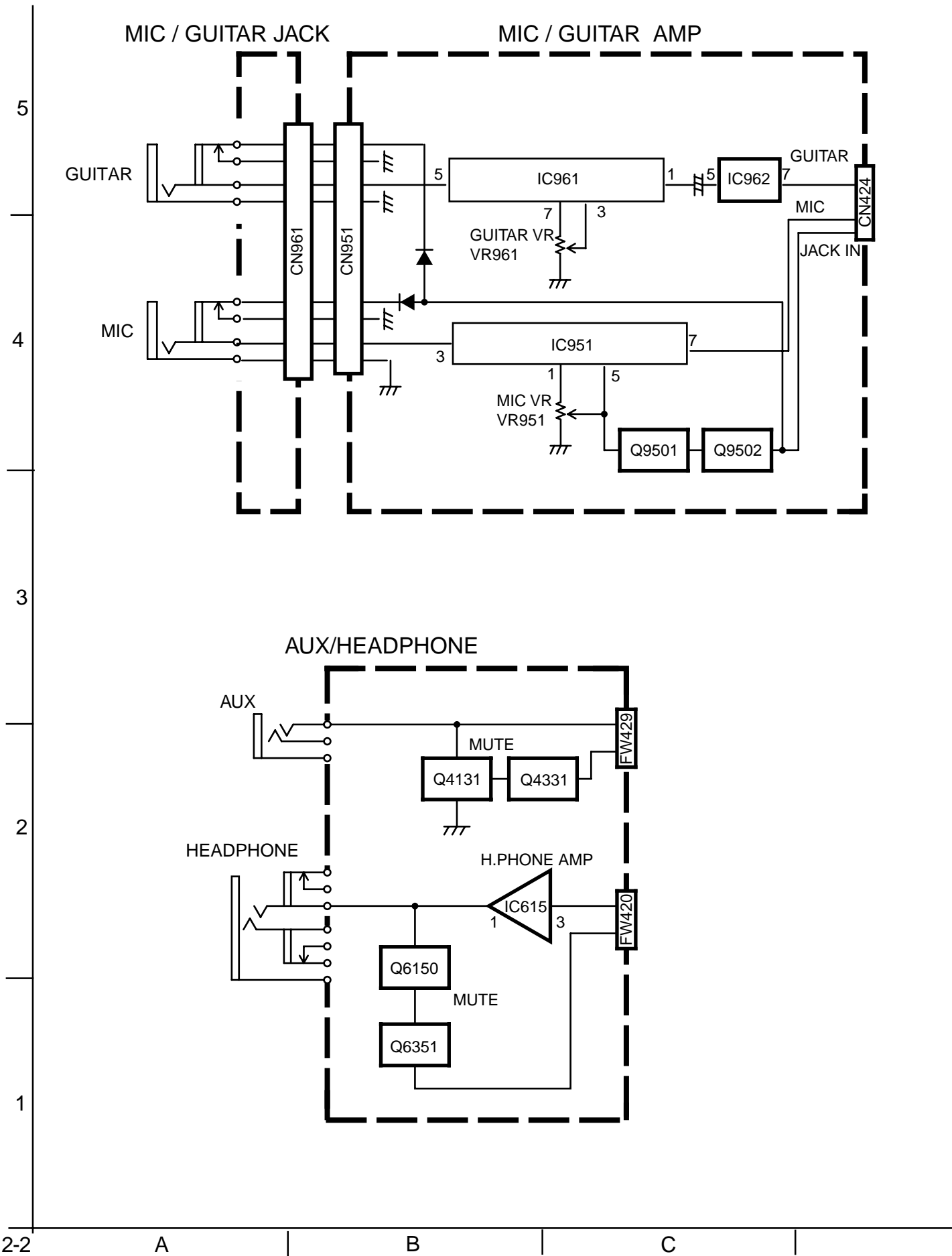
# Block diagrams

## ■ System control (Microm) section

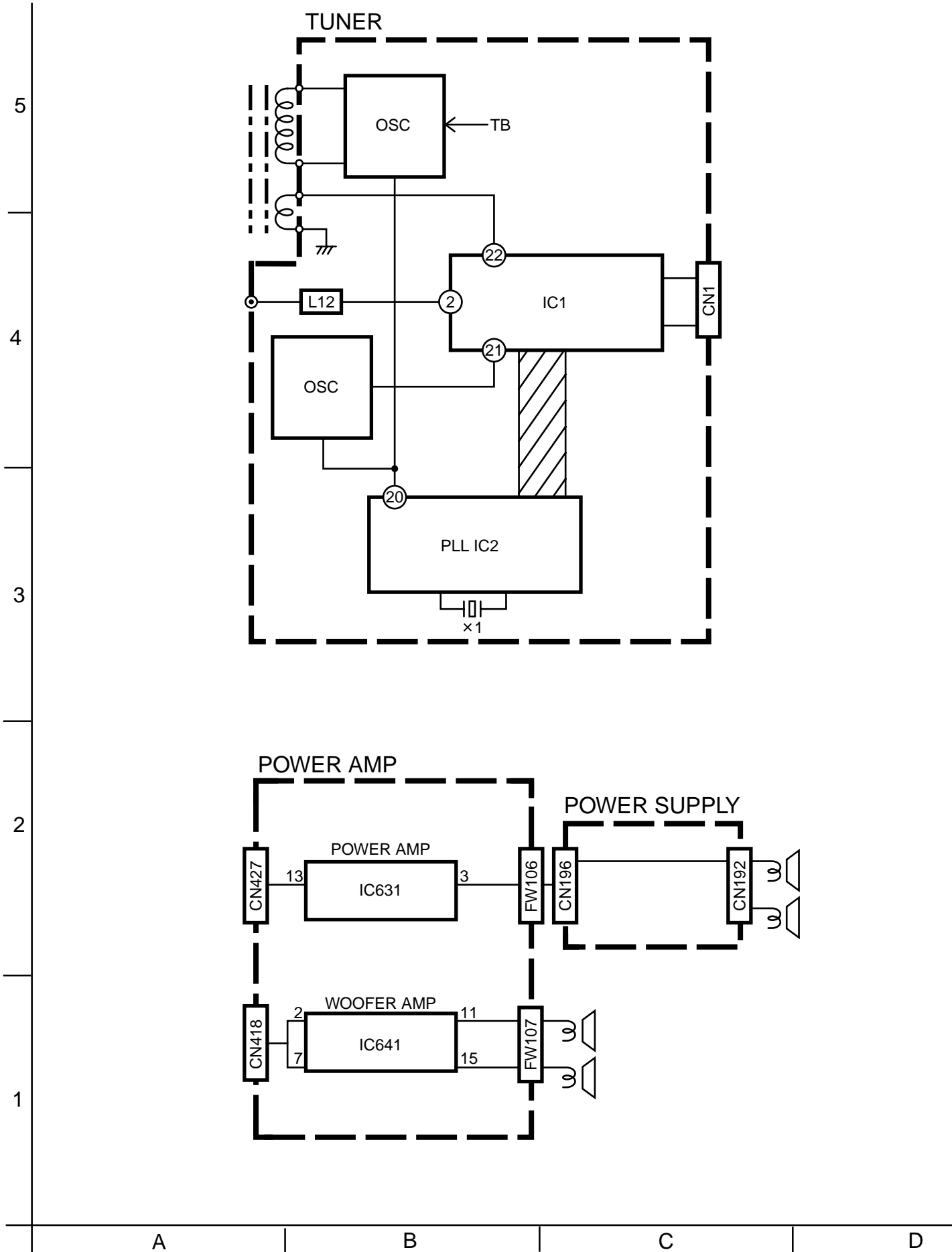




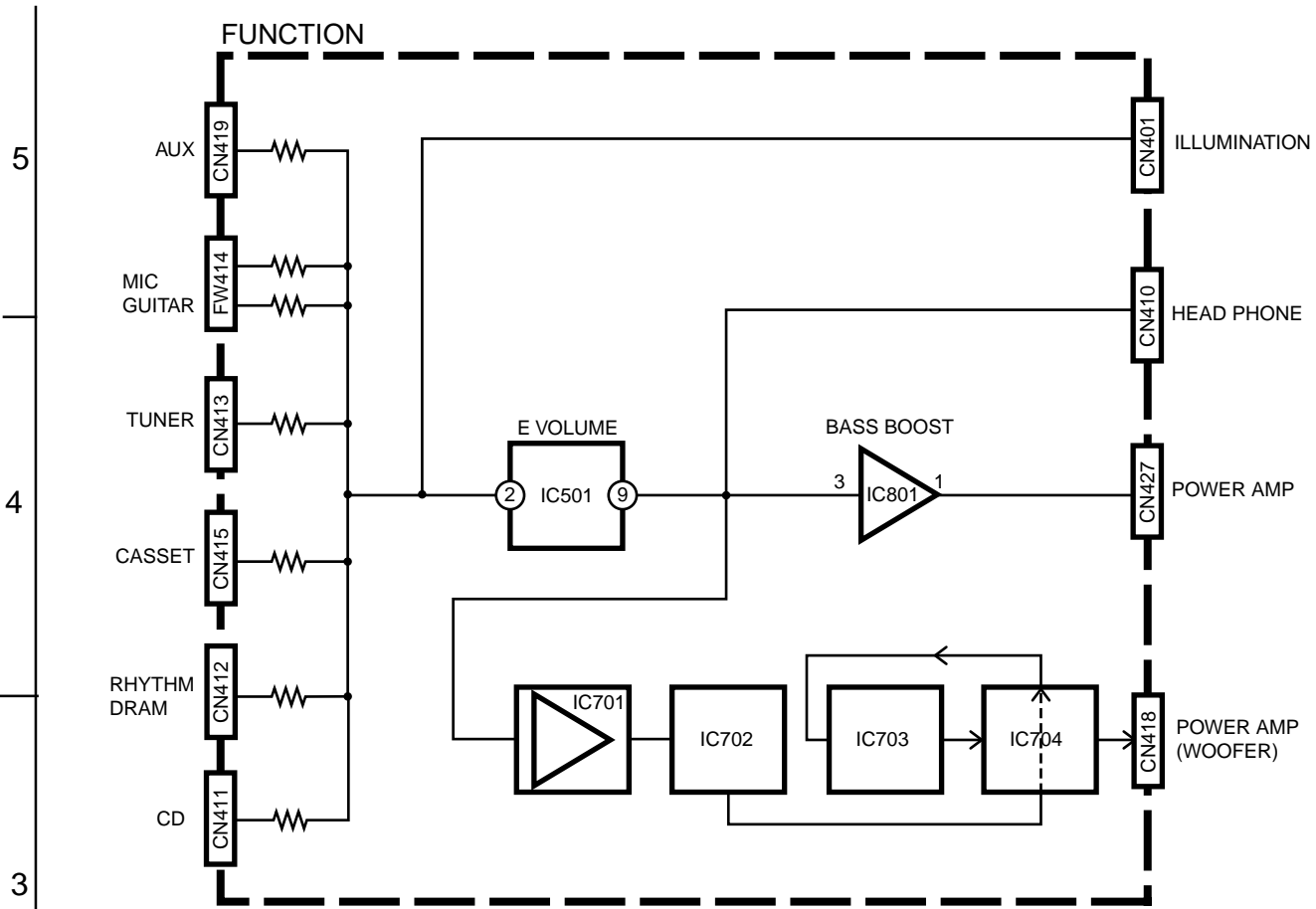
■ Mic/Guitar and AUX/Headphone section



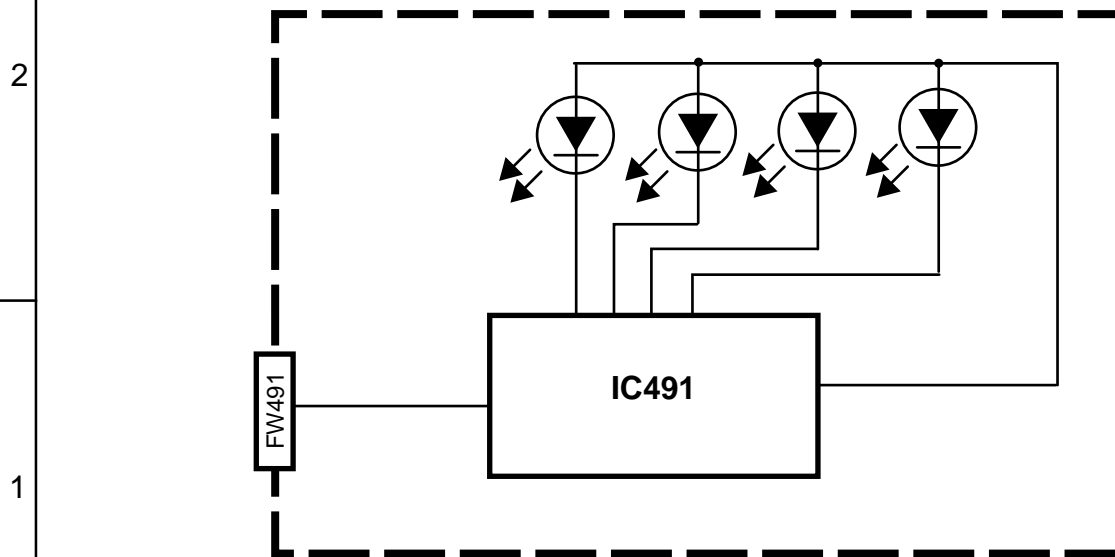
■ Tuner / Power section



■ Function section



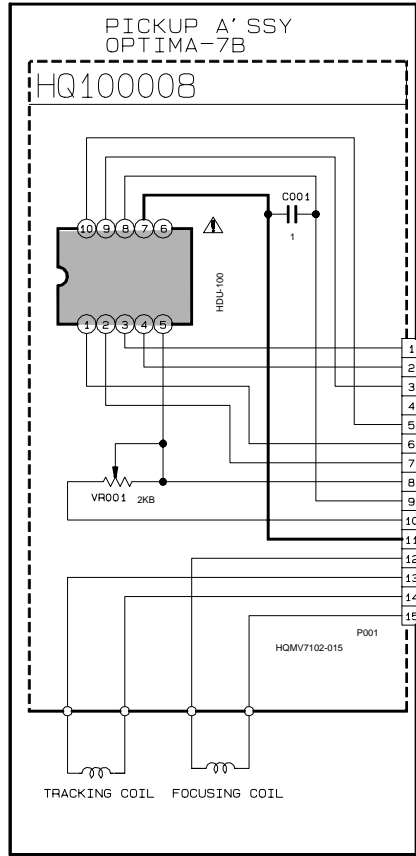
■ LED section



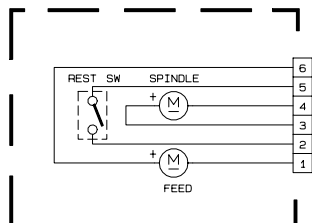
# Standard schematic diagrams

## ■ CD servo control section

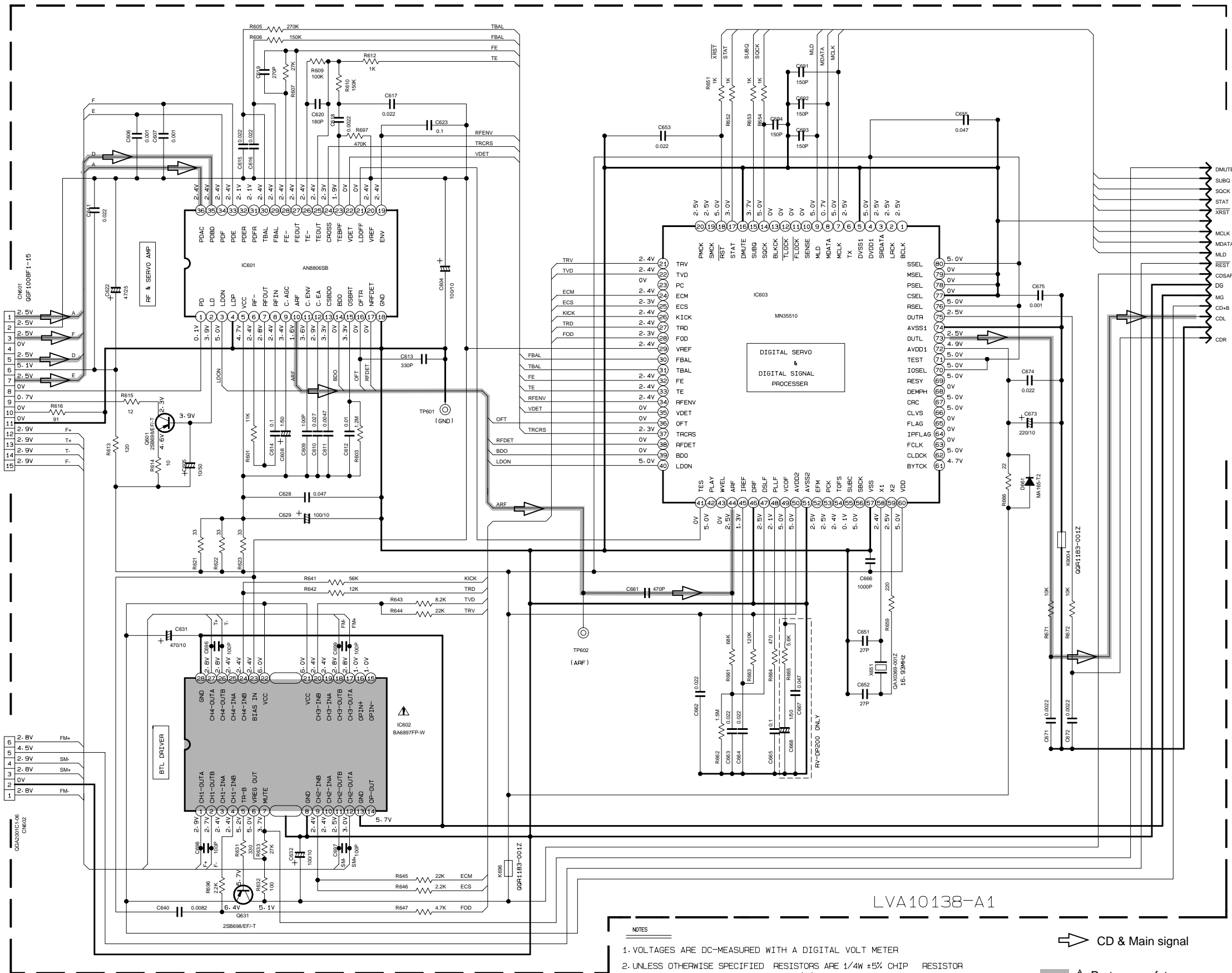
5  
4  
3  
2  
1



EXL-M7MBYPM



TK473, CMKS-B1X, CMKE-77X, NMPF2



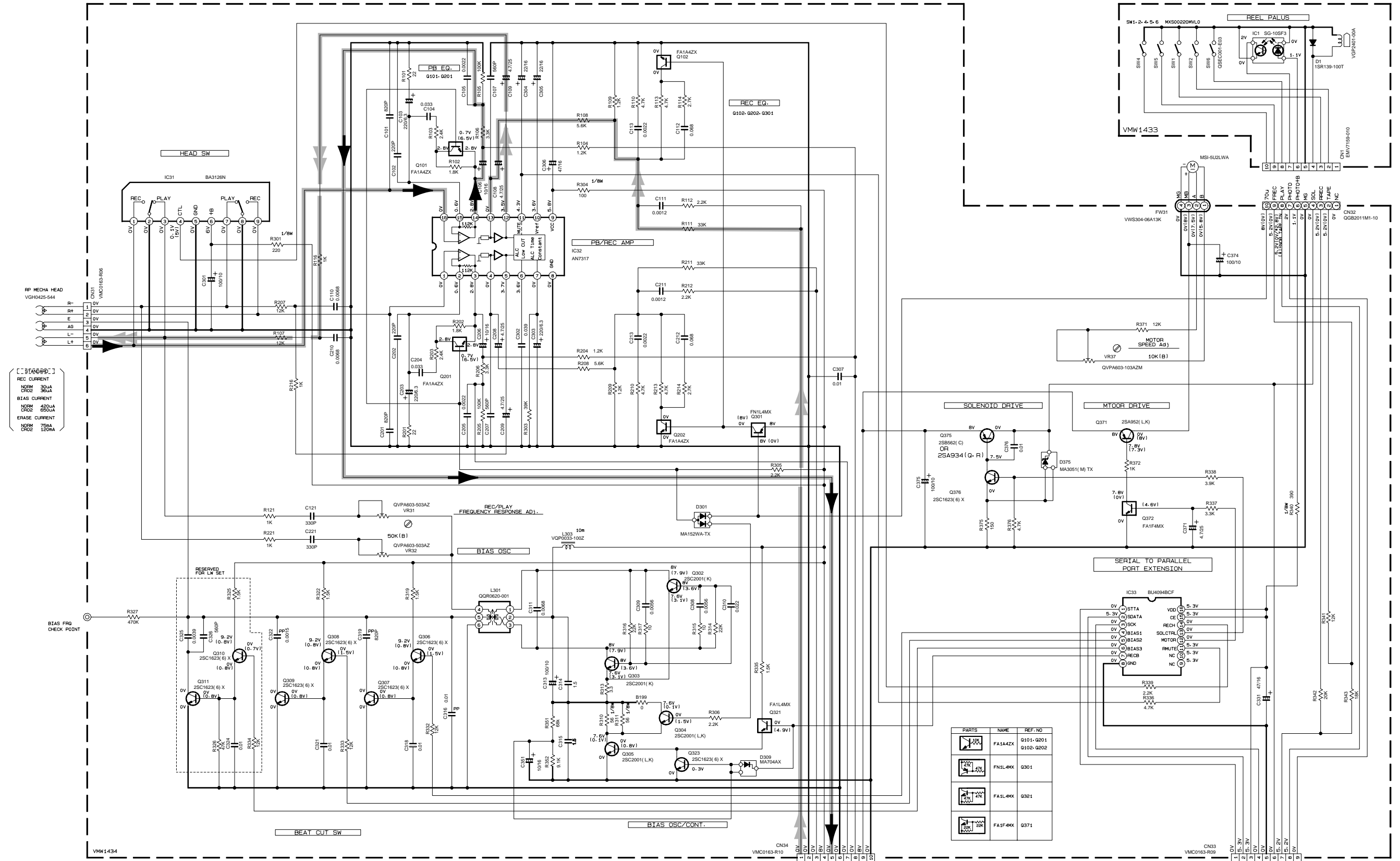
➔ CD & Main signal

▲ Parts are safety assurance parts. When replacing those parts make sure to use the specified one.

To G-2 on page 2-8

■ Cassette amplifier section

5  
4  
3  
2  
1



STANDARD  
REC CURRENT  
NORM 300mA  
CRSE 650mA  
BIAS CURRENT  
NORM 4500uA  
CRSE 6500uA  
ERASE CURRENT  
NORM 750uA  
CRSE 1200uA

NOTES

- VOLTAGES ARE DC-MEASURED WITH A DIGITAL VOLT METER OR OSCILLOSCOPE WITHOUT INPUT SIGNAL. CONDITION: MECHA STOP MODE
- UNLESS OTHERWISE SPECIFIED, RESISTORS ARE 1/10W ±5% METAL GLAZE RESISTOR. ALL RESISTANCE VALUES ARE IN OHM(S).
- ALL CAPACITORS ARE CERAMIC CAPACITOR OR MYLAR CAPACITOR. ALL CAPACITANCE VALUES ARE IN #F(P#P#).
- ALL INDUCTANCE VALUES ARE IN #H(M#M#).
- E. CAPACITORS ARE SHOWN IN THE FORM OF CAPACITANCE (#F)/RATED VOLTAGE (V).
- POLYPROPYLENE CAPACITOR

PARTS	NAME	REF. NO
	FA1A4ZX	G101, G201, G102, G202
	FN1L4MX	Q301
	FA1L4MX	Q301
	FA1F4MX	Q371

➔ Tape P.B. signal  
➔ Recording signal

To A-2 on page 2-9

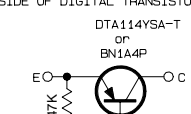
To E-1 on page 2-8

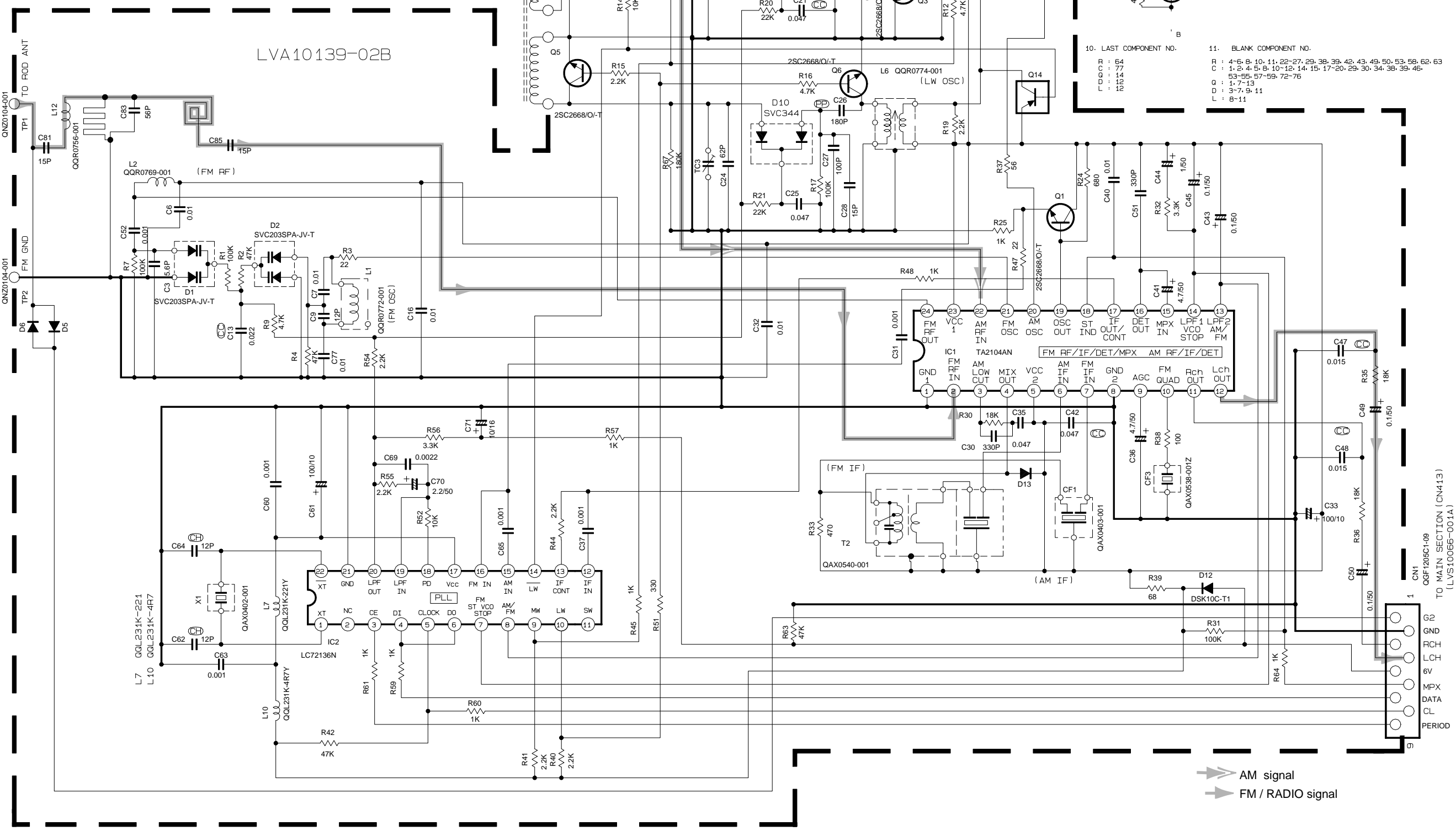
A B C 2-6 D E F G H

Tuner section

5  
4  
3  
2  
1

PIN NO	1	2	3	4	5	6	7	8	9	10	11	12	13	14	15	16	17	18	19	20	21	22	23	24
IC1	FM NO SIGNAL 88MHz	0	0.8	0	3.6	4	3.5	4	0	0.6	3.2	1.2	1.2	3.4	3.3	0.7	1.4	1.2	0	3.9	4	4.1	4	4
	FM 88MHz 600B STEREO	0	0.8	0.2	3.6	4.1	3.9	4.1	0	0	3.3	1.2	1.2	3.3	3.4	0.7	1.1	1.4	0.7	4	4.1	4.1	4.1	4.1
	AM 531KHz NO SIGNAL	0	0	1	4.2	4.3	3.6	4.3	0	0.1	3.7	1.2	1.2	0	0	0.7	1.1	0.9	0.7	4.1	4.2	4.3	4.3	4.3
PIN NO	1	2	3	4	5	6	7	8	9	10	11	12	13	14	15	16	17	18	19	20	21	22		
IC2	FM NO SIGNAL	2.5	0	0	5.1	5.1	5.1	3.5	3.2	3.9	2.5	4.1	0	1.4	1.7	0	2.4	0	0.9	0.9	1.5	0	2	
TR NO	Q1	Q2	Q3	Q4	Q5	Q6															Q14			
PIN NO	E	C	B	E	C	B	E	C	B	E	C	B	E	C	B	E	C	B	E	C	B			
	AM 1440KHz NO SIGNAL	3.3	4.2	4.1	0	0	0.1	0	0	0.1	4.1	4.1	3.6	0	0	0	0	0	0.7	4.1	4.1	0		
	AM 144KHz NO SIGNAL	3.4	4.3	4.2	0	0	0.8	0	0	0.7	4.3	4.3	4.3	0	0	0.1	0	0	0.1	4.3	4.3	4.3		

- NOTES
- VOLTAGES ARE DC-MEASURED WITH A DIGITAL VOLT METER
  - ALL RESISTORS ARE 1/6W 5% CARBON RESISTOR.
  - ALL RESISTANCE VALUES ARE IN OHM(S).
  - ALL CAPACITANCE VALUES ARE IN pF(PpF).
  - ALL E.CAPS ARE SHOWN IN THE FORM OF CAPACITANCE (#F)/RATED VOLTAGE (V).
  - ALL INDUCTANCE VALUES ARE IN #H(=mH)
  - S1. DIODES (▶) ARE ALL MA165 THAT CAN BE CHANGED TO SIMILAR DIODE SUCH AS 1SS254 OR HSS104TJ OR 1SS133.
  - PARTS NO. OF TRANSISTORS ARE AS FOLLOWS:  
 Q1, 2, 3, 5, 6 2SC2668/O/ OR 2SC1923/O/  
 Q4 2SA1175/HFE/ 2SA1175/HFE/  
 Q14 DTA114YS or BN1A4P
  - INSIDE OF DIGITAL TRANSISTOR IS SHOWN AS FOLLOWS.  

  - LAST COMPONENT NO.
  - BLANK COMPONENT NO.  
 R: 64  
 C: 77  
 D: 10  
 L: 11  
 S: 1-2, 4, 5, 8, 10-12, 14, 15, 17-20, 29, 30, 34, 38, 39, 46, 53-55, 57-59, 72-76  
 T: 1-7, 13  
 U: 3, 7, 9, 11  
 V: 8-11



To A-3 on page 2-9

# RV-DP200BK

## System control section

5  
4  
3  
2  
1

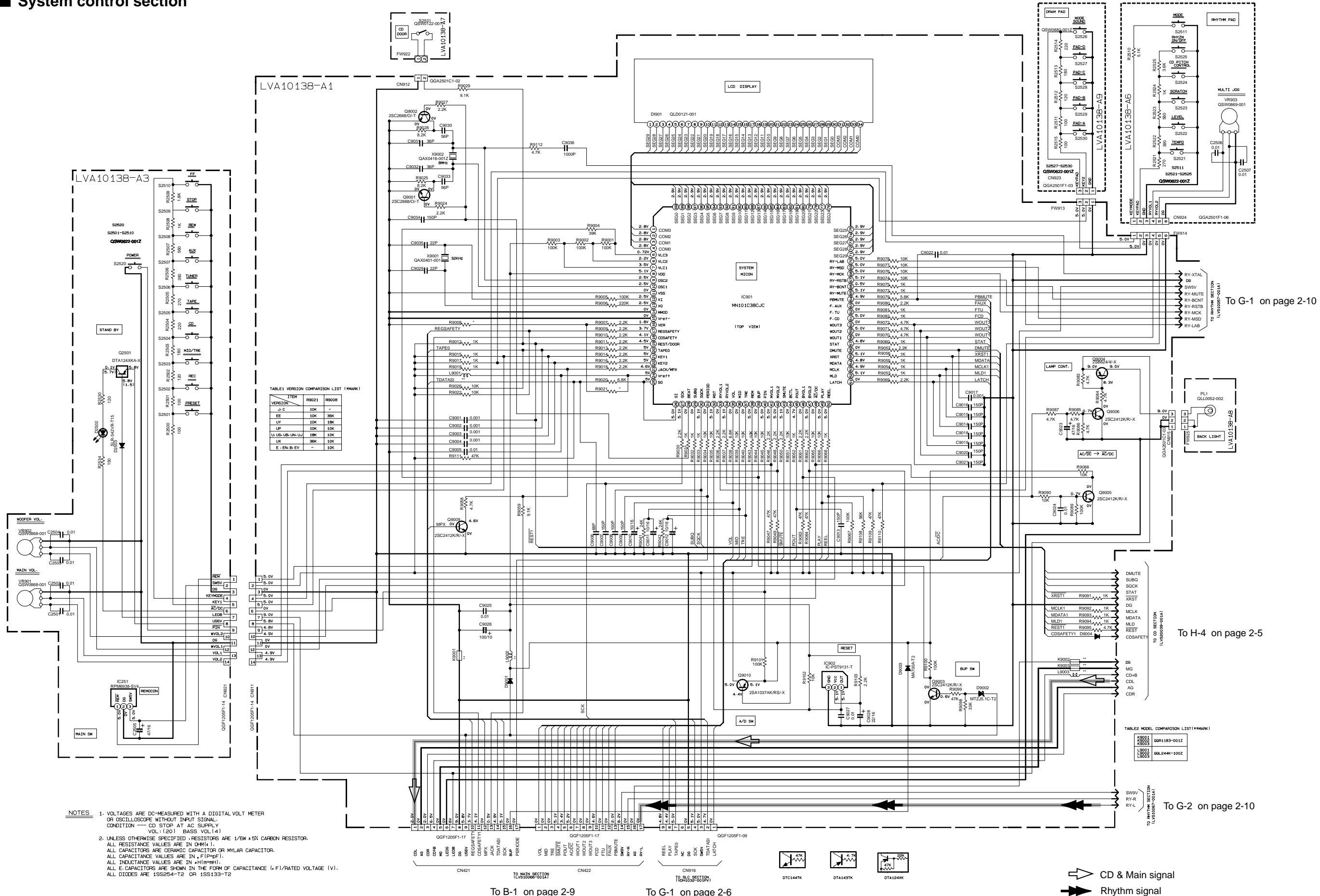


TABLE1 VERSION COMPARISON LIST (MARK)

ITEM	R9021	R9028
J-C	10K	-
EE	10K	36K
LV	10K	18K
LP	10K	10K
LU-UB-LU-LU-LU	18K	10K
LX	36K	10K
E-E-B-E-V	-	10K

TABLE2 MODEL COMPARISON LIST (MARK)

Q9001	Q9001
Q9002	Q9002
Q9003	Q9003
Q9004	Q9004
Q9005	Q9005
Q9006	Q9006
Q9007	Q9007
Q9008	Q9008
Q9009	Q9009
Q9010	Q9010
Q9011	Q9011
Q9012	Q9012
Q9013	Q9013
Q9014	Q9014
Q9015	Q9015
Q9016	Q9016
Q9017	Q9017
Q9018	Q9018
Q9019	Q9019
Q9020	Q9020
Q9021	Q9021
Q9022	Q9022
Q9023	Q9023
Q9024	Q9024
Q9025	Q9025
Q9026	Q9026
Q9027	Q9027
Q9028	Q9028
Q9029	Q9029
Q9030	Q9030
Q9031	Q9031
Q9032	Q9032
Q9033	Q9033
Q9034	Q9034
Q9035	Q9035
Q9036	Q9036
Q9037	Q9037
Q9038	Q9038
Q9039	Q9039
Q9040	Q9040
Q9041	Q9041
Q9042	Q9042
Q9043	Q9043
Q9044	Q9044
Q9045	Q9045
Q9046	Q9046
Q9047	Q9047
Q9048	Q9048
Q9049	Q9049
Q9050	Q9050
Q9051	Q9051
Q9052	Q9052
Q9053	Q9053
Q9054	Q9054
Q9055	Q9055
Q9056	Q9056
Q9057	Q9057
Q9058	Q9058
Q9059	Q9059
Q9060	Q9060
Q9061	Q9061
Q9062	Q9062
Q9063	Q9063
Q9064	Q9064
Q9065	Q9065
Q9066	Q9066
Q9067	Q9067
Q9068	Q9068
Q9069	Q9069
Q9070	Q9070
Q9071	Q9071
Q9072	Q9072
Q9073	Q9073
Q9074	Q9074
Q9075	Q9075
Q9076	Q9076
Q9077	Q9077
Q9078	Q9078
Q9079	Q9079
Q9080	Q9080
Q9081	Q9081
Q9082	Q9082
Q9083	Q9083
Q9084	Q9084
Q9085	Q9085
Q9086	Q9086
Q9087	Q9087
Q9088	Q9088
Q9089	Q9089
Q9090	Q9090
Q9091	Q9091
Q9092	Q9092
Q9093	Q9093
Q9094	Q9094
Q9095	Q9095
Q9096	Q9096
Q9097	Q9097
Q9098	Q9098
Q9099	Q9099
Q9100	Q9100

- NOTES
- VOLTAGES ARE DC-MEASURED WITH A DIGITAL VOLT METER OR OSCILLOSCOPE WITHOUT INPUT SIGNAL. CONDITION --- CD STOP AT AC SUPPLY VOL-(00) BASS VOL-(14)
  - UNLESS OTHERWISE SPECIFIED, RESISTORS ARE 1/8W ±5% CARBON RESISTOR. ALL RESISTANCE VALUES ARE IN OHM(Ω). ALL CAPACITORS ARE CERAMIC CAPACITOR OR MYLAR CAPACITOR. ALL CAPACITANCE VALUES ARE IN P(F)(PF). ALL INDUCTANCE VALUES ARE IN H(MH)(H). ALL E-CAPACITORS ARE SHOWN IN THE FORM OF CAPACITANCE (F)/RATED VOLTAGE (V). ALL DIODES ARE 1SS254-T2 OR 1SS133-T2

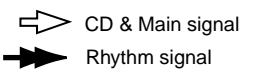
To G-1 on page 2-10

To H-4 on page 2-5

To G-2 on page 2-10

To B-1 on page 2-9

To G-1 on page 2-6



A B C 2-8 D E F G H

Function section

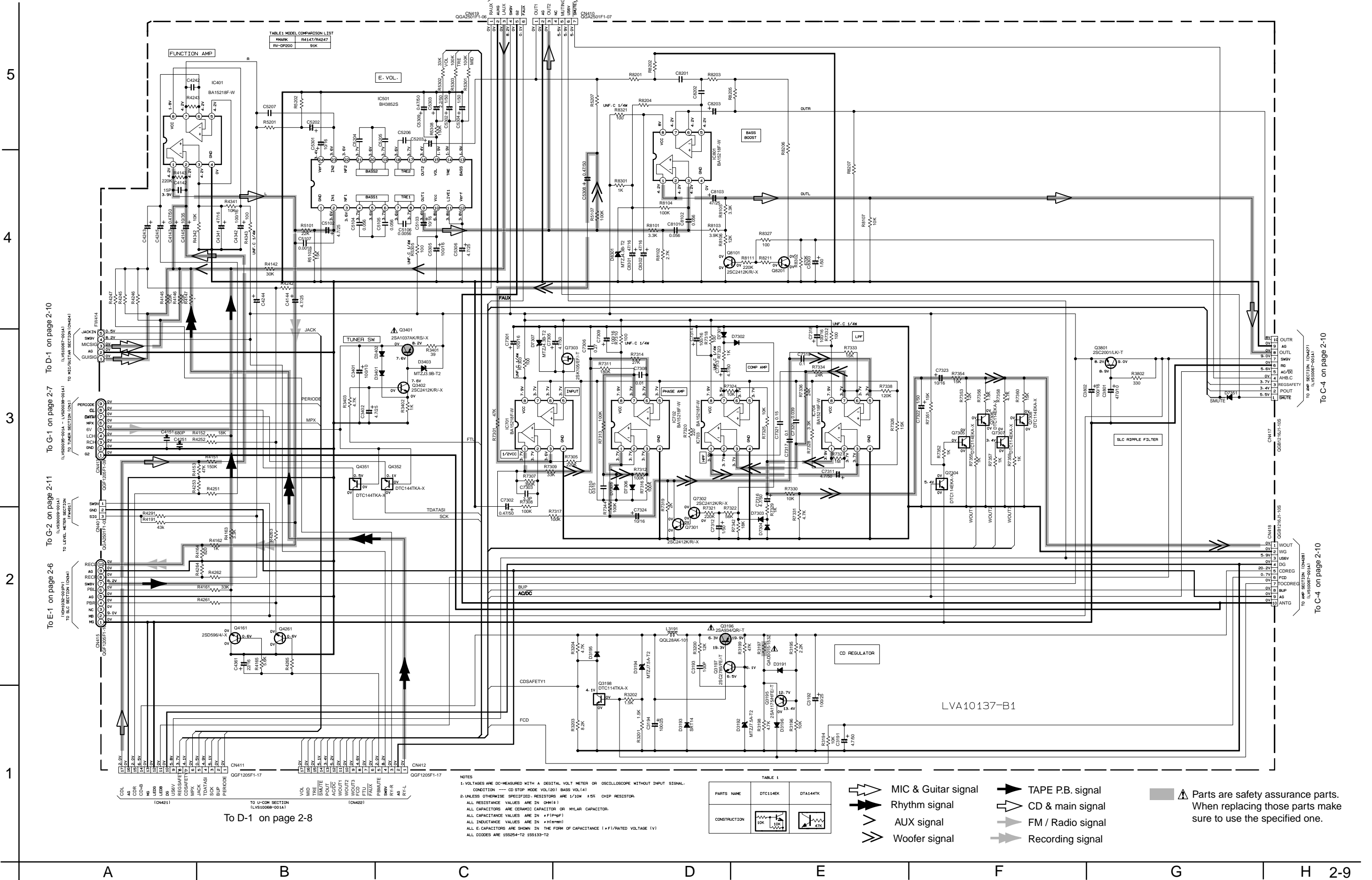


TABLE 1 MODEL COMPARISON LIST

MARK	R4147/R4247
RV-DP200	9X

TABLE 1

PARTS NAME	DTC1146K	DTC144TK
CONSTRUCTION		

NOTES  
 1. VOLTAGES ARE DC-MEASURED WITH A DIGITAL VOLT METER OR OSCILLOSCOPE WITHOUT INPUT SIGNAL. CONDITION — CD STOP MODE VOL(10) BASS VOL(4)  
 2. UNLESS OTHERWISE SPECIFIED, RESISTORS ARE 1/10W ±5% CHIP RESISTOR.  
 ALL RESISTANCE VALUES ARE IN OHM(S)  
 ALL CAPACITORS ARE CERAMIC CAPACITOR OR NYLON CAPACITOR.  
 ALL CAPACITANCE VALUES ARE IN +F(P=PF)  
 ALL INDUCTANCE VALUES ARE IN +H(M=MH)  
 ALL E-CAPACITORS ARE SHOWN IN THE FORM OF CAPACITANCE (±F)/RATED VOLTAGE (V)  
 ALL DIODES ARE 1SS254-T2 1SS133-T2

- MIC & Guitar signal
- Rhythm signal
- AUX signal
- Woofer signal
- TAPE P.B. signal
- CD & main signal
- FM / Radio signal
- Recording signal
- Parts are safety assurance parts. When replacing those parts make sure to use the specified one.

5  
4  
3  
2  
1

A B C D E F G H 2-9

To E-1 on page 2-6  
 To G-2 on page 2-11  
 To G-1 on page 2-7  
 To D-1 on page 2-10

To D-1 on page 2-8  
 To C-4 on page 2-10  
 To C-4 on page 2-10  
 To C-4 on page 2-10

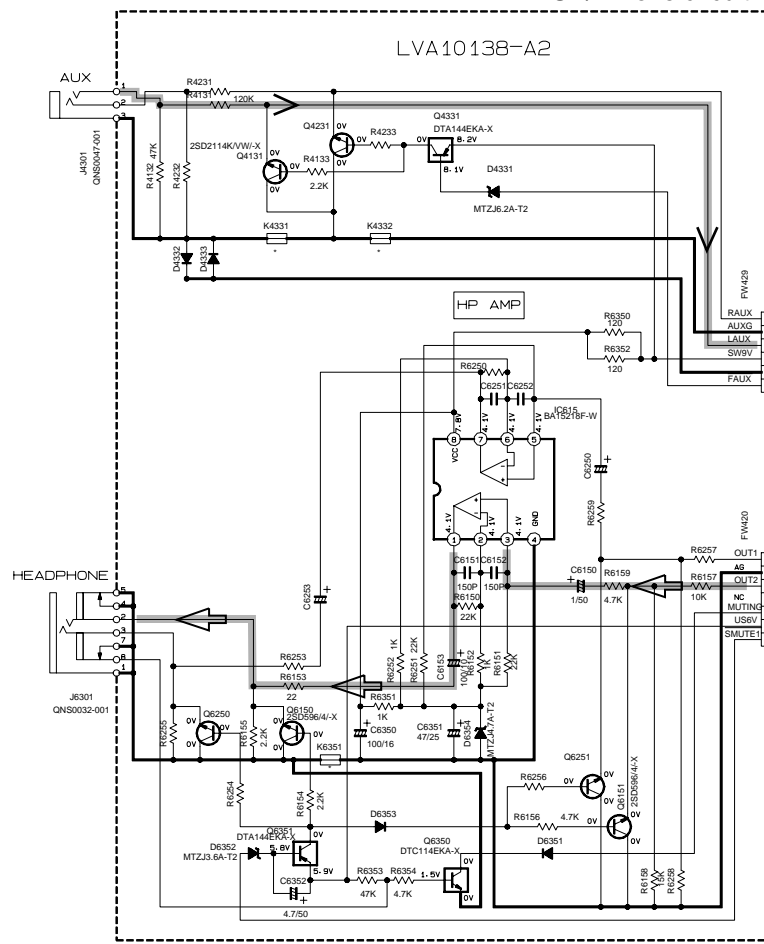


Power amplifier section

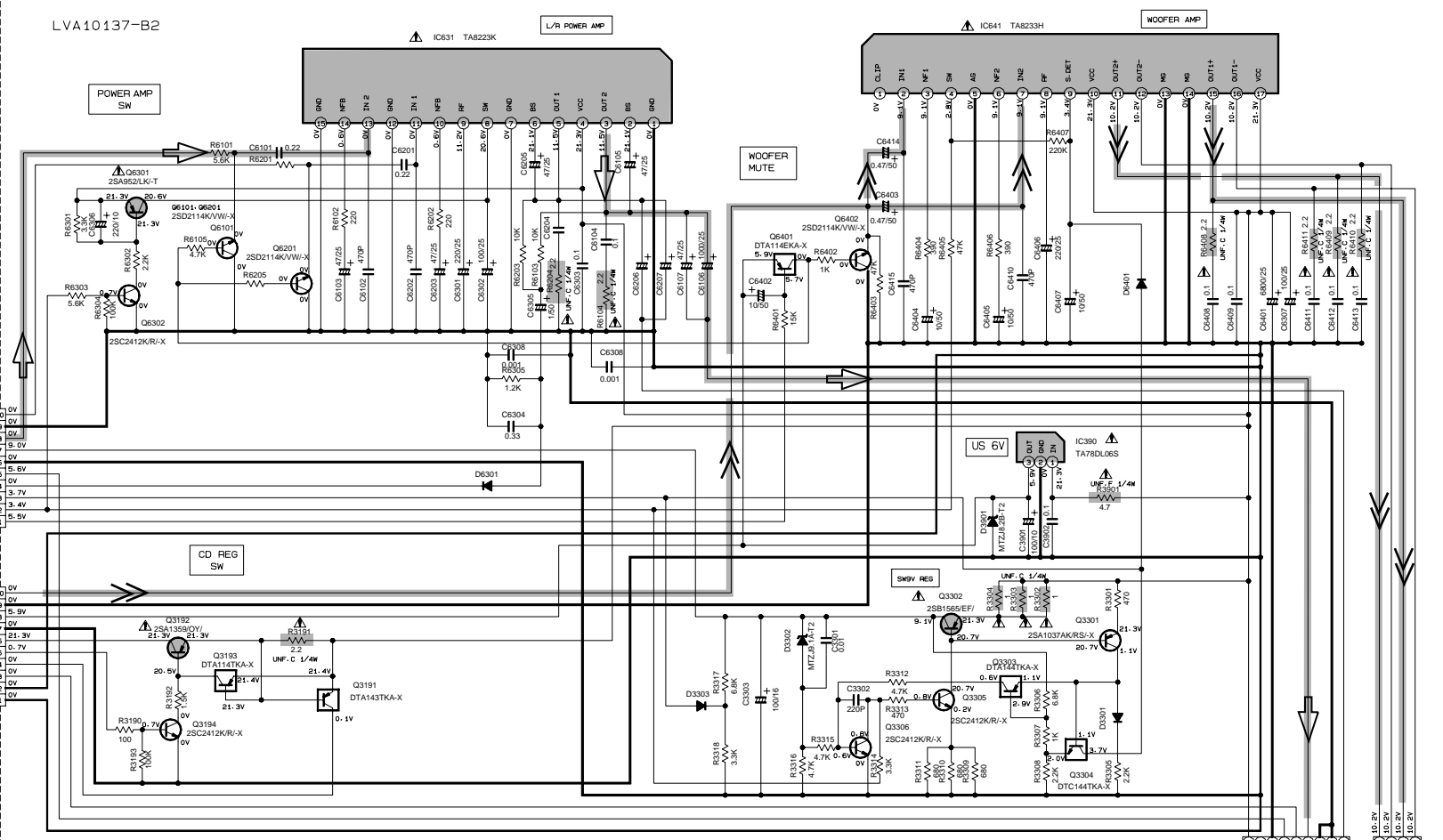
AUX/H.Pone circuit

Power amplifier circuit

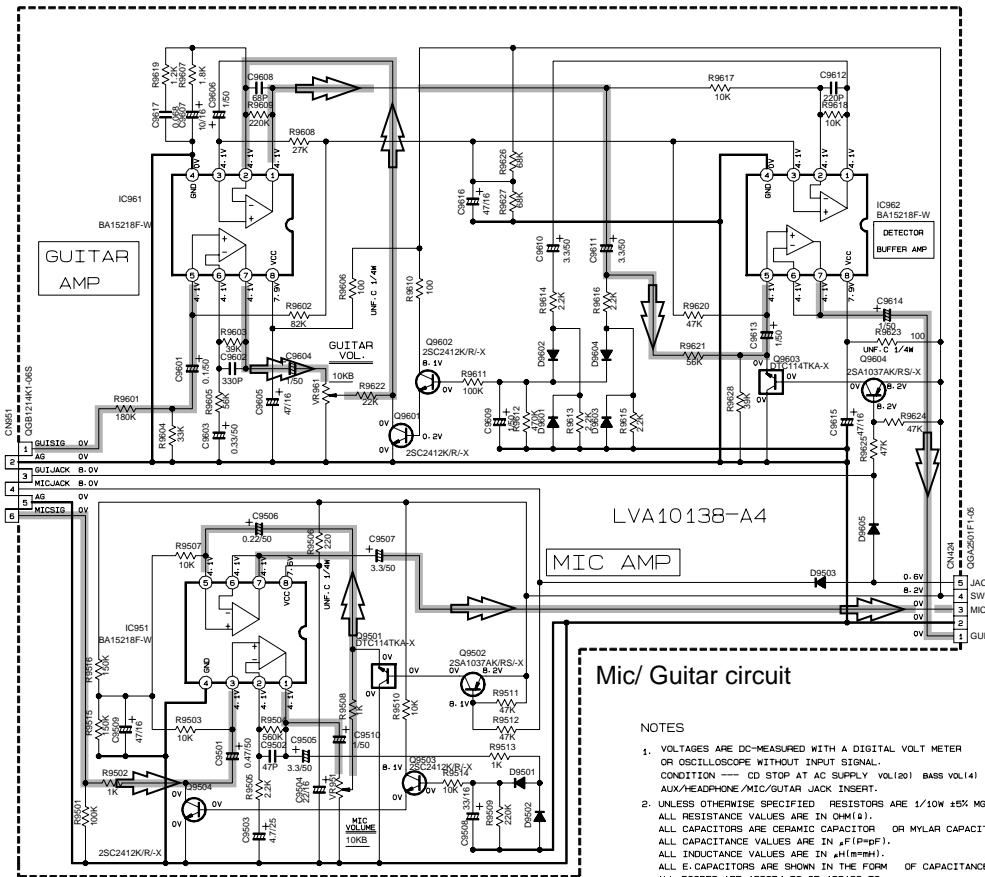
5  
4  
3  
2  
1



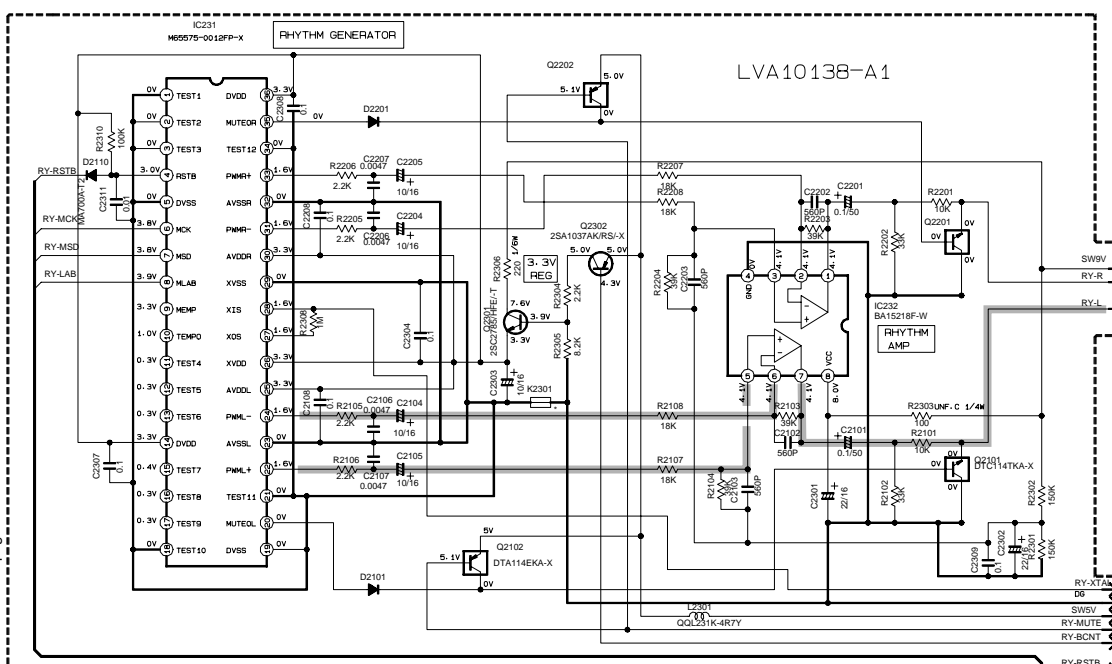
To D-5 on page 2-9  
To H-2, on page 2-9  
To MAIN SECTION (CN419)  
(LVS1006B-001A1)  
To H-3 on page 2-9  
(LVS1006B-001A1)  
To C-5 on page 2-9  
To MAIN SECTION (CN417)  
(LVS1006B-001A1)  
To D-5 on page 2-9  
To MAIN SECTION (CN418)  
(LVS1006B-001A1)



To D-5 on page 2-11  
TO VOLTAGE SOURCE SECTION  
(LVS0040-002A)



**NOTES**  
1. VOLTAGES ARE DC-MEASURED WITH A DIGITAL VOLT METER OR OSCILLOSCOPE WITHOUT INPUT SIGNAL.  
CONDITION --- CD STOP AT AC SUPPLY VOL(20) BASS VOL(4)  
AUX/HEADPHONE/MIC/GUITAR JACK INSERT.  
2. UNLESS OTHERWISE SPECIFIED RESISTORS ARE 1/10W ±5% MG RESISTOR  
ALL RESISTANCE VALUES ARE IN OHM(S).  
ALL CAPACITORS ARE CERAMIC CAPACITOR OR MYLAR CAPACITOR.  
ALL CAPACITANCE VALUES ARE IN μF(P=PF).  
ALL INDUCTANCE VALUES ARE IN μH(P=PH).  
ALL E-CAPACITORS ARE SHOWN IN THE FORM OF CAPACITANCE (μF)/RATED VOLTAGE (V).  
ALL DIODES ARE 1SS254-T2 OR 1SS133-T2



To G-1 on page 2-8

TO U-COM SECTION  
(LVB1005B-001A)

To G-4 on page 2-8

- MIC & Guitar signal
- CD & Main signal
- AUX signal
- WOOFER signal

▲ Parts are safety assurance parts.  
When replacing those parts make sure to use the specified one.

TABLE1 DIGITAL TRANSISTOR

DTA1145BA	DTA1145CA	DTA1145DA	DTA1145EA	DTA1145FA
DTA1145GA	DTA1145HA	DTA1145IA	DTA1145JA	DTA1145KA

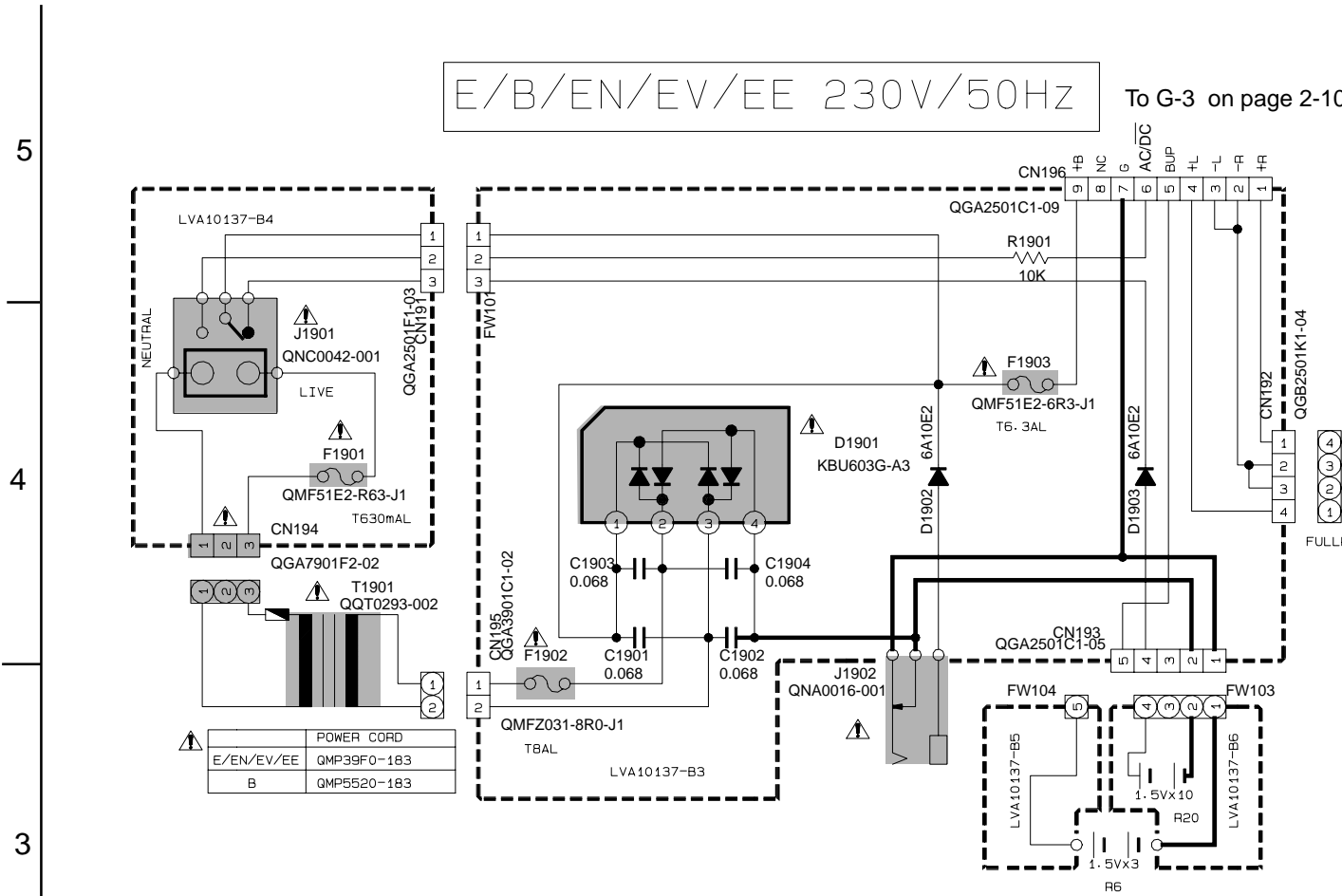
TABLE1 MARK1 FERRITE BEADS (Kxxxxx)

RV-DP200	QGR183-0012
----------	-------------

A B C 2-10 D E F G H

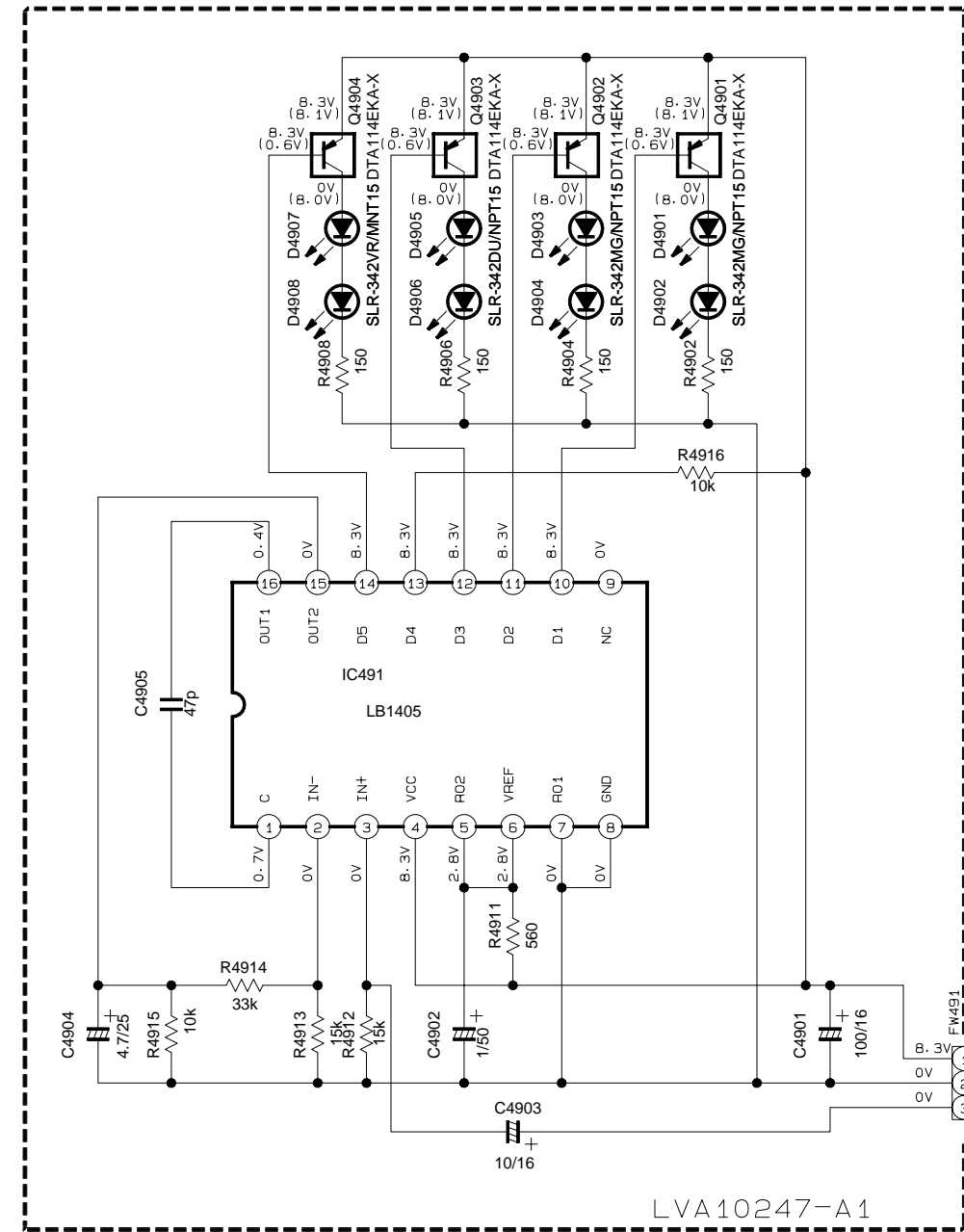
Power supply section

LED section



- NOTES
- VOLTAGES ARE DC-MEASURED WITH A DIGITAL VOLT METER OR OSCILLOSCOPE WITHOUT INPUT SIGNAL. CONDITION --- CD STOP MODE
  - UNLESS OTHERWISE SPECIFIED RESISTORS ARE 1/4W ±5% CARBON RESISTOR. ALL RESISTANCE VALUES ARE IN OHM(Ω). ALL CAPACITORS ARE CERAMIC CAPACITOR OR MYLAR CAPACITOR. ALL CAPACITANCE VALUES ARE IN μF(P=pF).

⚠ Parts are safety assurance parts. When replacing those parts make sure to use the specified one.



NOTES

VOLTAGES ARE DC-MEASURED WITH A DIGITAL VOLT METER OR OSCILLOSCOPE WITHOUT INPUT SIGNAL. CONDITION --- CD STOP AT AC SUPPLY

UNLESS OTHERWISE SPECIFIED RESISTORS ARE 1/10W ±5% MG RESISTORS. ALL RESISTANCE VALUES ARE IN OHM(Ω). ALL CAPACITORS ARE CERAMIC CAPACITOR. ALL CAPACITANCE VALUES ARE IN μF(P=pF). ALL INDUCTANCE VALUES ARE IN μH(m=mH). ALL E-CAPACITORS ARE SHOWN IN THE FORM OF CAPACITANCE (μF)/RATED VOLTAGE (V).

TABLE1 DIGITAL TR LIST

PARTS NAME	DTA114EKA-X
CONSTRUCTION	

TO MAIN SECTION (CN401)  
(LVS10066-001A)

To A-2 on page 2-9

5  
4  
3  
2  
1

# Printed circuit boards

■ Main board

Main board

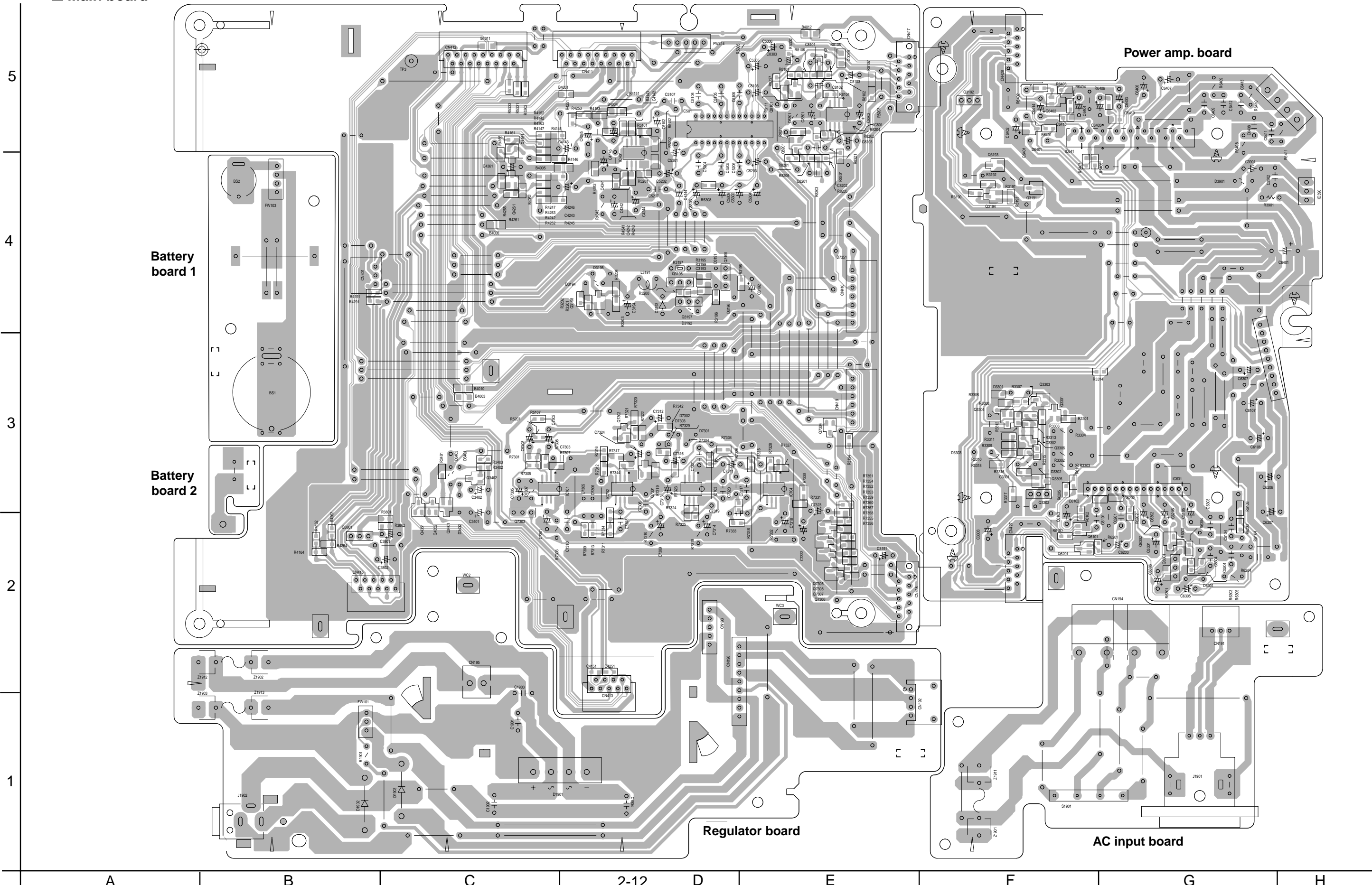
Power amp. board

Battery board 1

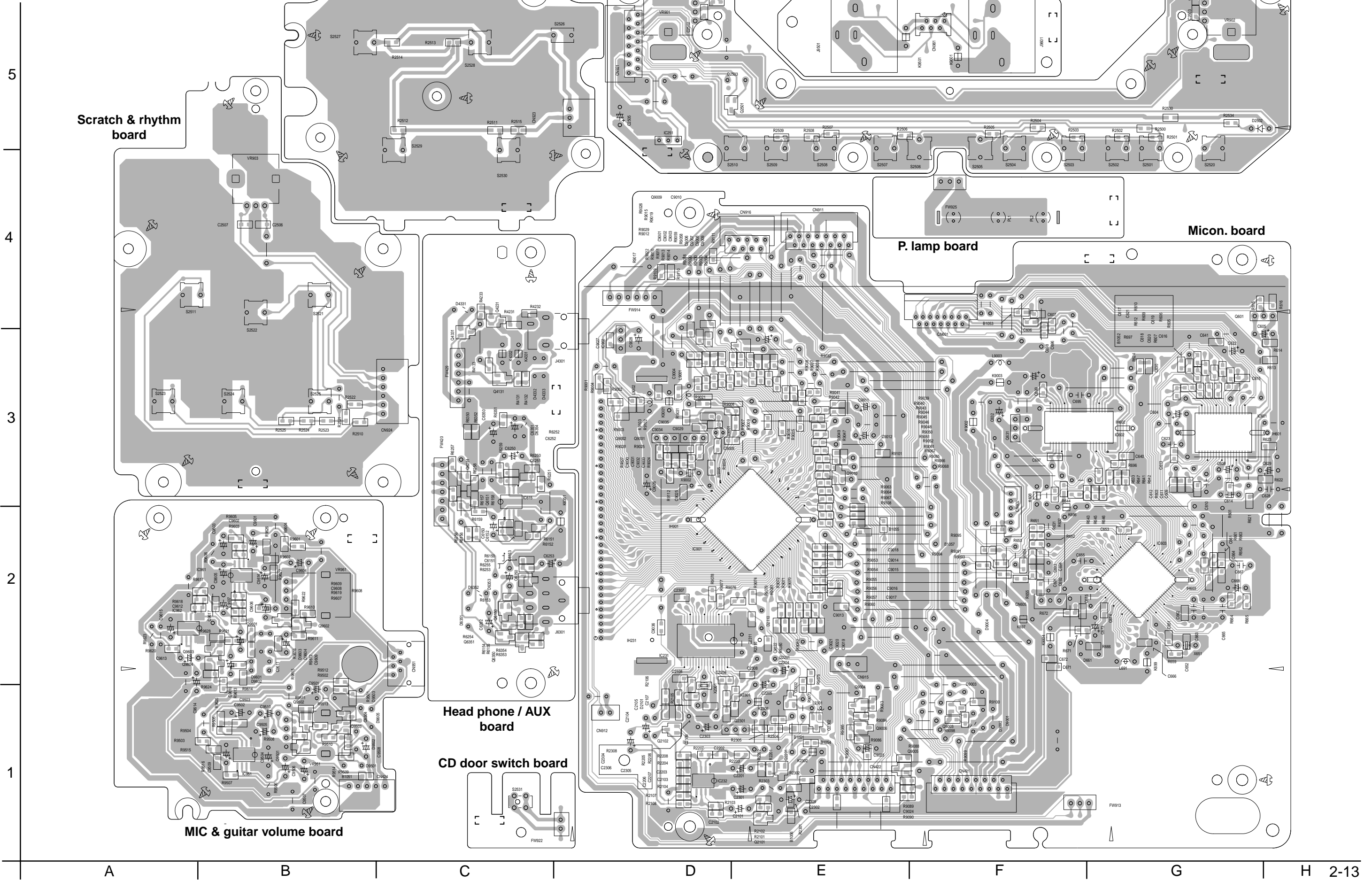
Battery board 2

Regulator board

AC input board



■ Micon board



Scratch & rhythm board

Drum key board

Key switch board

MIC & guitar jack board

Micon. board

P. lamp board

Head phone / AUX board

CD door switch board

MIC & guitar volume board

5

4

3

2

1

A

B

C

D

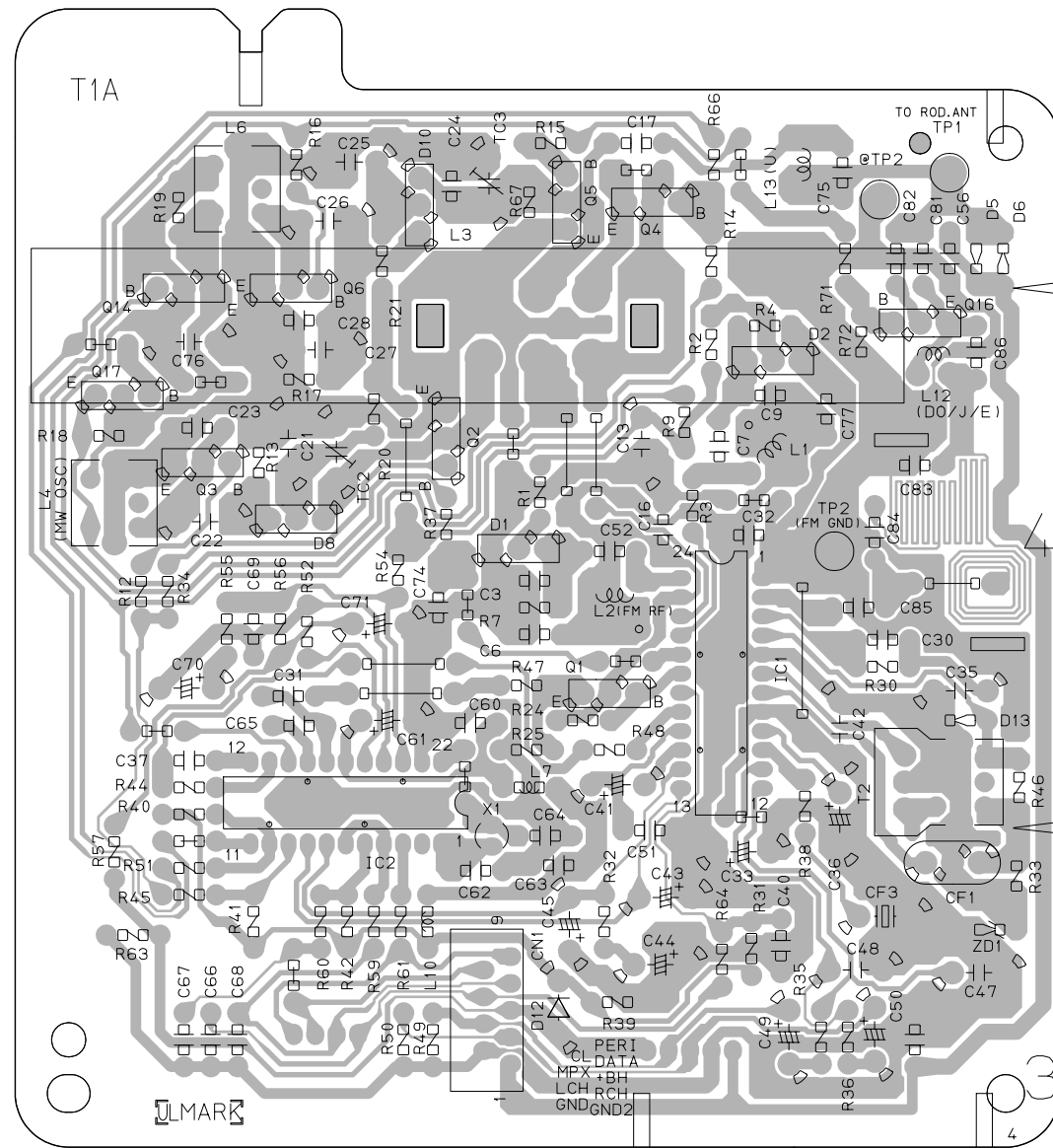
E

F

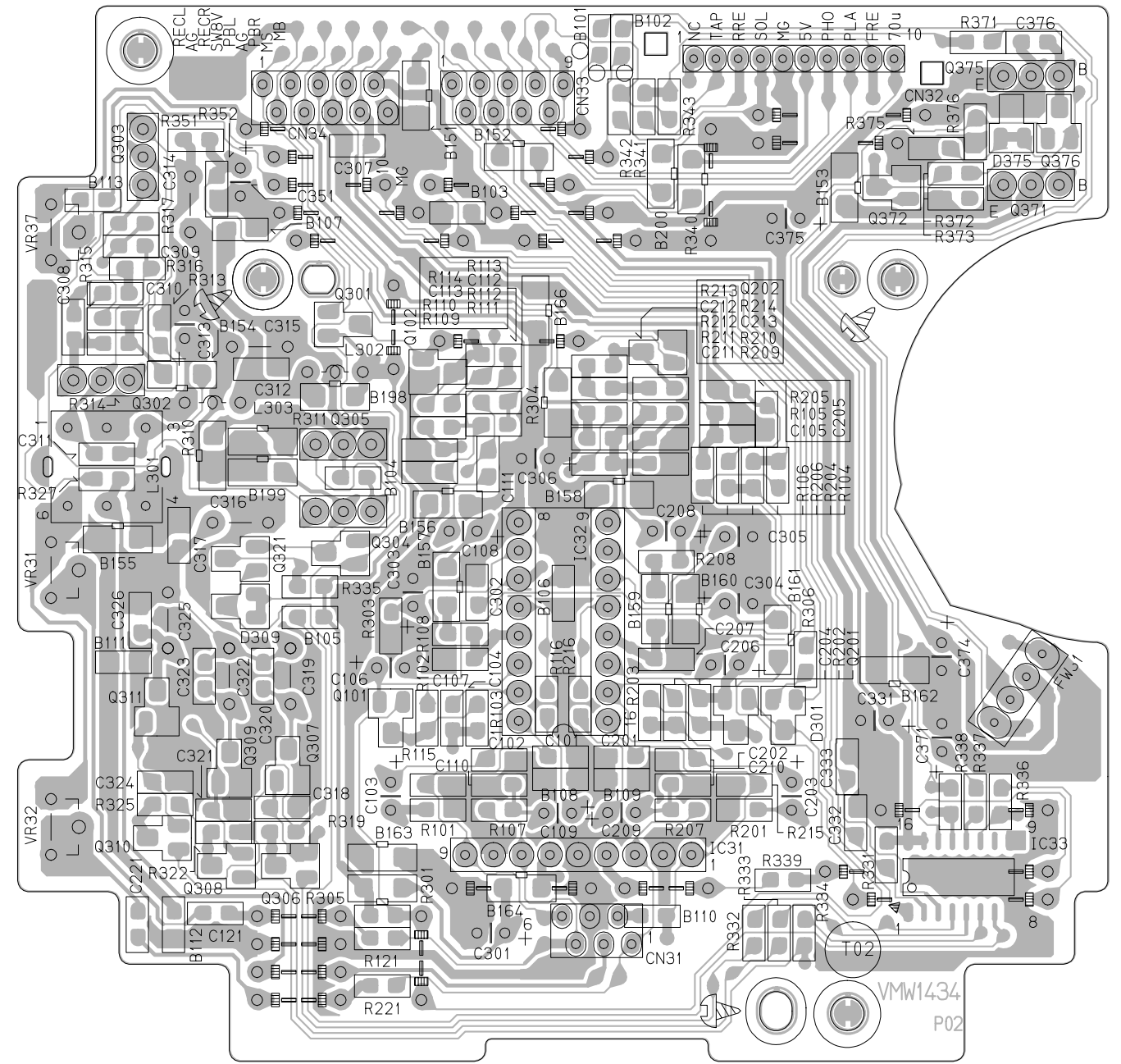
G

H 2-13

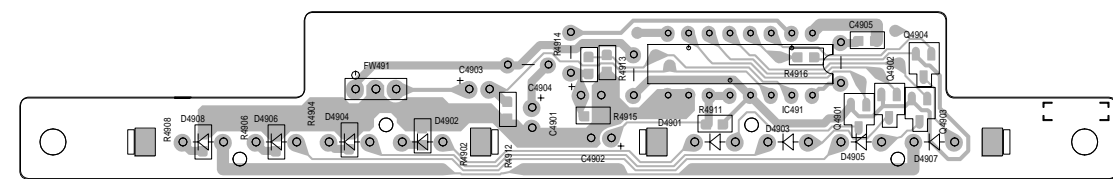
■ Tuner board



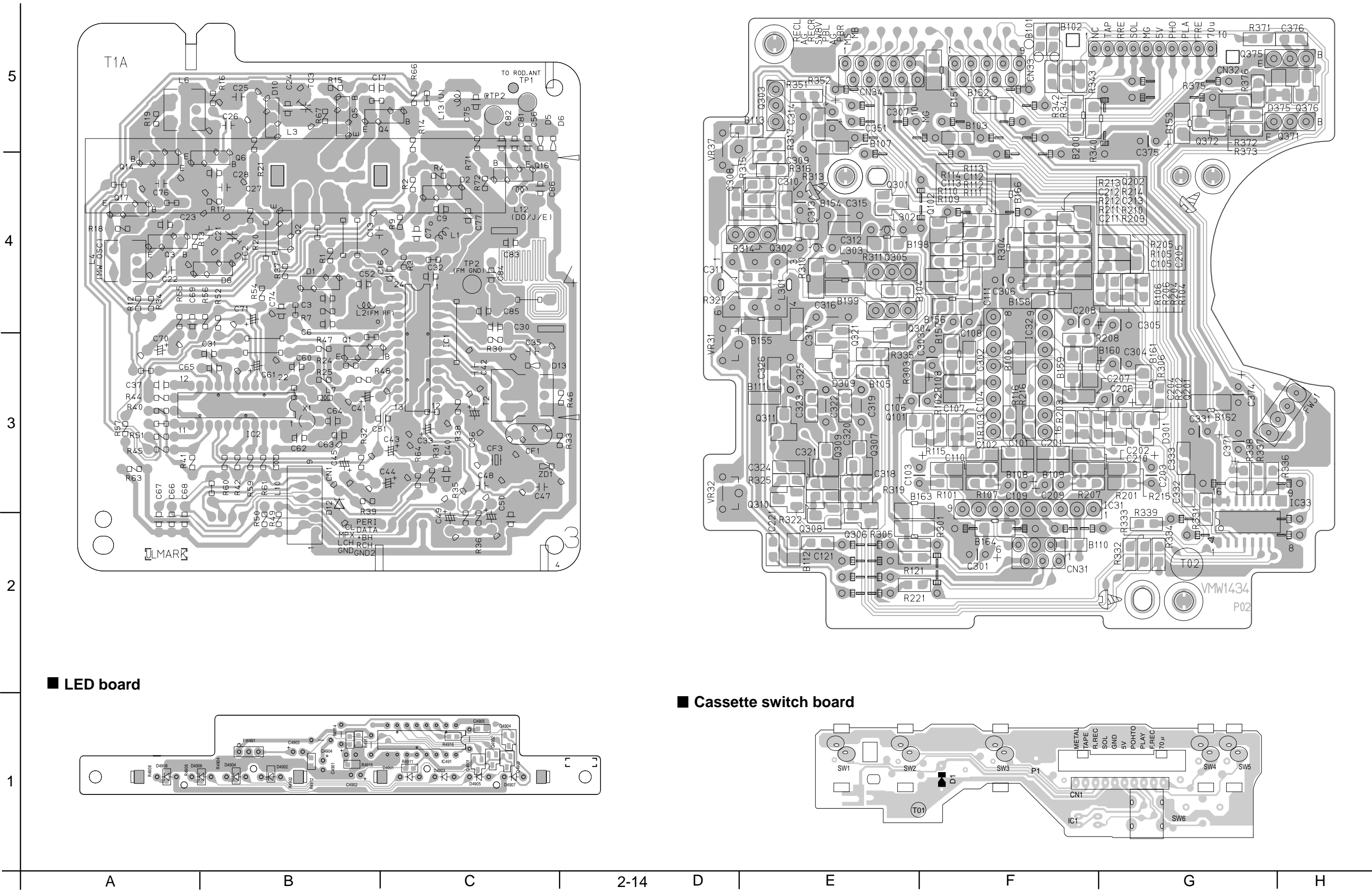
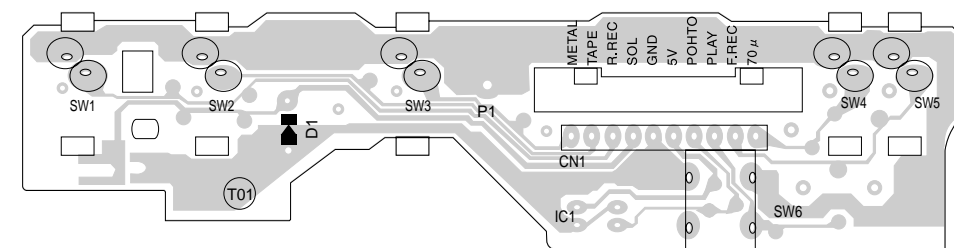
■ Head amplifier & Mechanism board



■ LED board



■ Cassette switch board



# PARTS LIST

[ RV-DP200BK ]

\* All printed circuit boards and its assemblies are not available as service parts.

## Area suffix

B ----- U.K.  
 E ----- Continental Europe  
 EN ----- Northern Europe

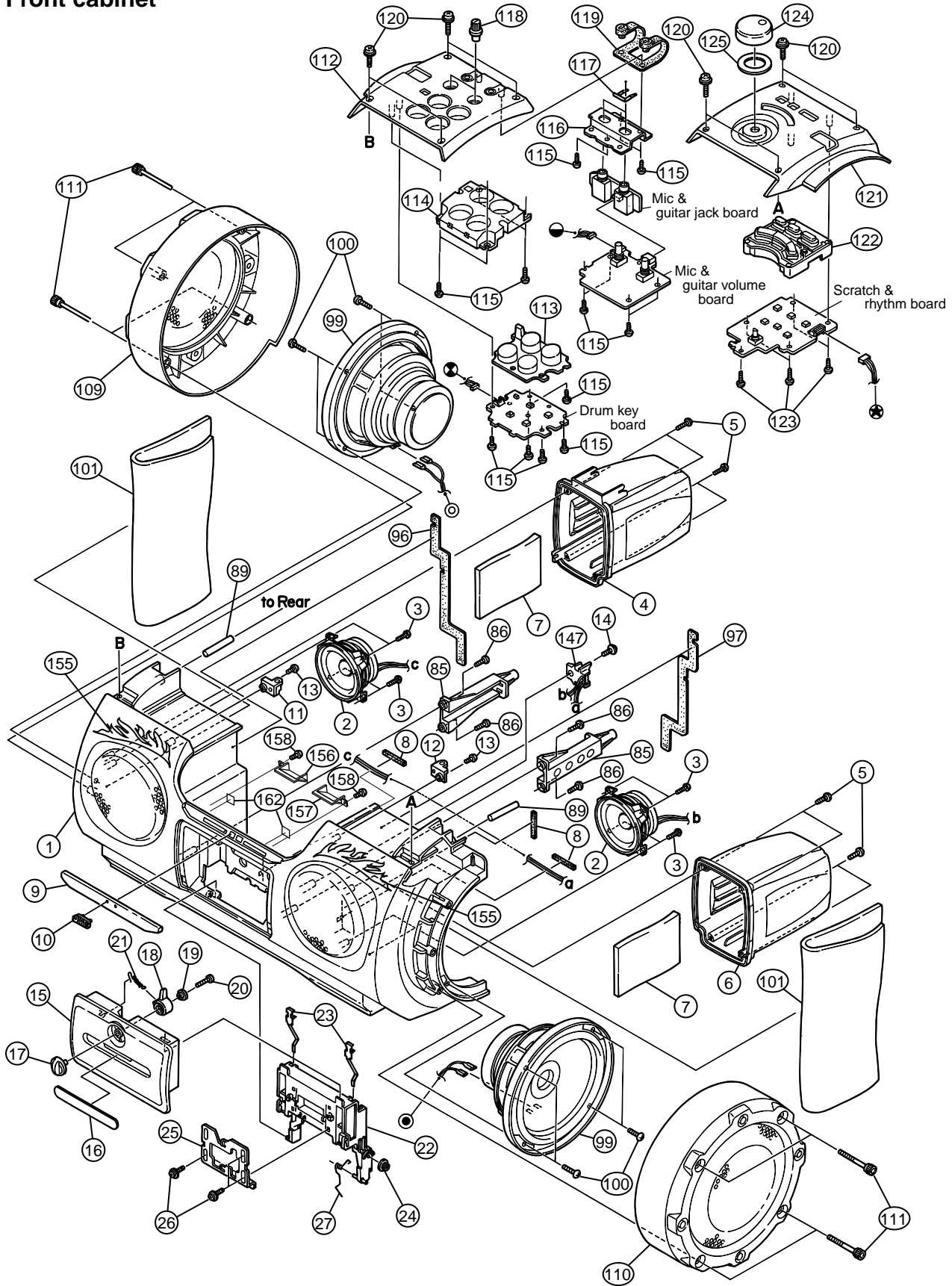
## - Contents -

Exploded view of general assembly and parts list .....	3- 2
CD mechanism assembly and parts list .....	3- 8
Cassette mechanism assembly and parts list .....	3- 9
Electrical parts list .....	3-11
Packing materials and accessories parts list .....	3-24

# Exploded view of general assembly and parts list

Block No. M 1 M M

## Front cabinet



## ■ Parts list (General assembly)

Block No. M1MM

△	Item	Parts number	Parts name	Q'ty	Description	Area
	1	LV10351-004A	FRONT CABI ASSY	1		
	2	QAS0006-001	SPEAKER	2		
	3	QYSBSF3010Z	SCREW	8	FOR SP	
	4	VYH2280-002	CAP (L)	1		
	5	QYSBSF3010Z	SCREW	8	FOR CAP	
	6	VYH2281-002	CAP (R)	1		
	7	VKZ4389-009	SOUND ABSOBER	2		
	8	VYSH102-097	SPACER	3	FOR SP WIRE	
	9	LV31760-003A	ILLUMI.LANS	1		
	10	PQ45130-7	JVC MARK	1		
	11	LV31775-001A	HOLDER	1	FRONT TOP	
	12	LV31775-002A	HOLDER(R)	1		
	13	QYSBSF2608Z	T.SCREW	2	HOLDER+FRONT	
	14	QYSBSFG3010Z	TAP SCREW	1	SP CONECTOR	
	15	LV20689-002A	DOOR COVER	1		
	16	LV41573-003A	DOOR LENS	1		
	17	LV40718-004A	EJECT KNOB	1		
	18	LV40719-001A	CAM(CASS)	1		
	19	LV42025-001A	COLLAR	1		
	20	QYSDSF2614Z	SCREW	1	EJECT KNOB	
	21	LV40749-001A	TENSION SPRING	1		
	22	LV20298-001A	CASSETTE HOLDER	1		
	23	VKY4180-001	CASSETTE SPRING	2		
	24	VYH5601-001	GEAR	1		
	25	LV30844-001A	EJECT SAFTY	1		
	26	VKZ4794-002	SPECIAL SCREW	3	FOR SAFETY	
	27	LV41854-001A	DOOR SPRING	1		
	85	LV31766-001A	SUPPORT HOLDER	2		
	86	QYSBSF3010Z	SCREW	4	FOR S.HOLDER	
	89	VKH3012-073	SHAFT(E)	2		
	96	LV41599-001A	PACKING SHEET L	1	PEF	
	97	LV41600-002A	PACKING SHEET R	1	PEF	
	99	QAS0007-001	SPEAKER	2	WOOFOR	
	100	QYSBSF4012Z	SCREW	8		
	101	VKZ4805-001UL	SOUND ABSOBER	2		
	109	LV10352-005A	PROTECT ASSY(L)	1		
	110	LV10354-005A	PROTECT ASSY(R)	1		
	111	VKZ4795-011	SPECIAL SCREW	8	SIDE PRO.	
	112	LV10369-003A	TOP COVER(L)	1		
	113	LV31763-002A	PAD BUTTON	1		
	114	LV20717-001A	BUTTON HOLDER	1		
	115	QYSBSF2608Z	T.SCREW	16		
	116	LV31795-001A	JACK BRACKET	1		
	117	VKL6752-001	SNAP PLATE	2	FOR JACK	
	118	LV31792-001A	VOLUME KNOB	2		
	119	LV41590-001A	JACK CAP	1	FOR JACK	
	120	LV41871-001A	SCREW	8	TOP	
	121	LV10370-005A	TOP COVER(R)	1		



**■ Parts list (General assembly)**

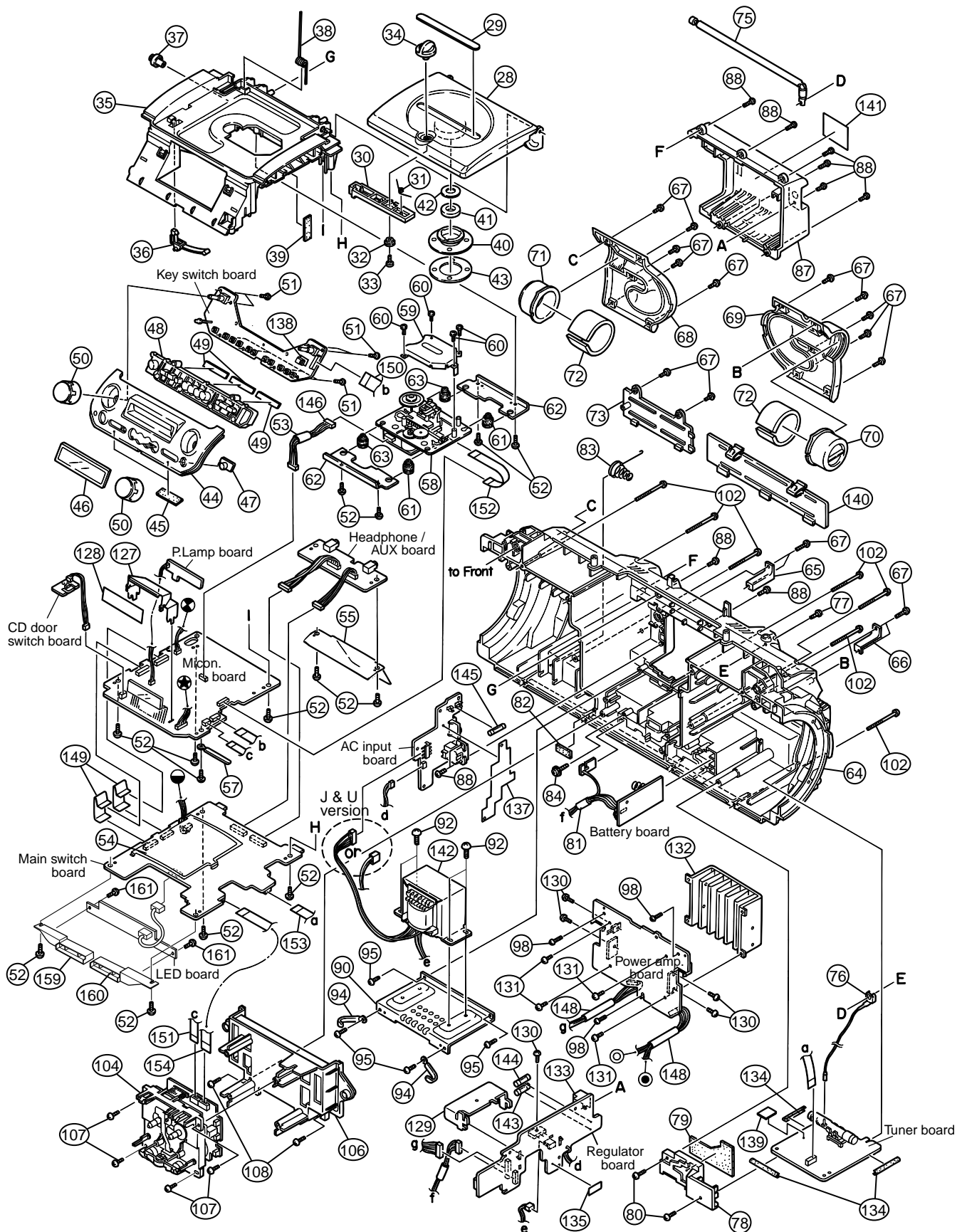
Block No. M1MM

△	Item	Parts number	Parts name	Q'ty	Description	Area
	122	LV20719-002A	CONTROL BUTTON	1		
	123	QYSBSF2608Z	T.SCREW	5	TOP+C.BUTTON	
	124	LV31767-003A	JOG DIAL	1		
	125	LV41770-002A	VOLUME SHEET	1		
	147	WJJ0034-012A	E-SI C WIRE C-C	1	SPEAKER	
	155	LV32594-002A	STICKER(R)	1		
		LV32593-002A	STICKER(L)	1		
	156	LV32588-001A	LED LENS(L)	1		
	157	LV32589-001A	LED LENS(R)	1		
	158	QYSBSF2608Z	T.SCREW	2	FOR LED LENS	
	162	LV30064-081A	SPACER	2	FOR F.PANEL	

# Exploded view of general assembly and parts list

Block No. **M 1 M M**

## Rear cabinet



**Parts list (General assembly)**

Block No. M1MM

△	Item	Parts number	Parts name	Q'ty	Description	Area
	28	LV10343-002A	CD DOOR	1		
	29	LV41573-004A	DOOR LENS	1		
	30	LV30846-001A	SLIDER (CD)	1		
	31	LV40725-001A	TORSION SPRING	1		
	32	LV42025-002A	COLLAR	1		
	33	QYSDSF2614Z	SCREW	1		
	34	LV40718-004A	EJECT KNOB	1		
	35	LV10344-003A	CD CASE	1		
	36	LV40726-001A	LOCK LEVER	1		
	37	VYH4769-002SS	GEAR	1		
	38	LV41744-002A	CD DOOR SPRING	1		
	39	LV30064-063A	SPACER	1		
	40	VYH3644-201	CLAMPER	1		
	41	VYH7313-003	MAGNET	1		
	42	VYH7314-001	YOKE	1		
	43	VYH7315-008	PAD	1		
	44	LV10371-002A	FRONT COVER	1		
	45	LV30064-073A	SPACER	2		
	46	LV31757-003A	LCD LENS	1		
	47	LV41575-002A	REMOCON LENS	1		
	48	LV20690-002A	FUNCTION BUTTON	1		
	49	VYSA1R4-106	SPACER	3		
	50	LV31759-003A	JOG KNOB	2		
	51	QYSBSF2608Z	T.SCREW	8	BUTTON+COVER	
	52	QYSBSF3008Z	SCREW	14		
	53	LV30064-076A	SPACER	1		
	54	LV42295-001A	SHIELD(A)	1	FOR MAIN PWB	
	55	LV32032-002A	BARRIER	1		
	57	VKZ4001-111S	WIRE CLAMP	1		
	58	-----	CD MECHA ASSY	1		
	59	VJD5410-205	PICK COVER	1		
	60	QYSDSF2006M	SCREW	4	PICK COVER	
	61	VKZ4791-001	INSULATOR	2		
	62	LV40723-001A	CD MECHA HOLDER	2		
	63	FMYH4003-003	INSULATOR	2		
	64	LV10342-004A	REAR CABINET	1		
	65	LV32053-001A	REAR SUPPORT(L)	1		
	66	LV32054-001A	REAR SUPPORT(R)	1		
	67	QYSBSF3010Z	SCREW	16		
	68	LV20692-001A	DUCT(L)	1		
	69	LV20693-001A	DUCT(R)	1		
	70	LV31762-002A	CAP(R)	1		
	71	LV31765-002A	CAP(L)	1		
	72	LV41791-002A	SOUND ABSORBER	2		
	73	VJE3036-001	BATT.LID	1		
	75	FMJA3001-00A(D)	ROD ANT ASS'Y	1		
	76	VYH5012-005	TERMINAL LUG	1		
	77	QYSDSP3012N	SCREW	1	FOR ANT	

**Parts list (General assembly)**

Block No. M1MM

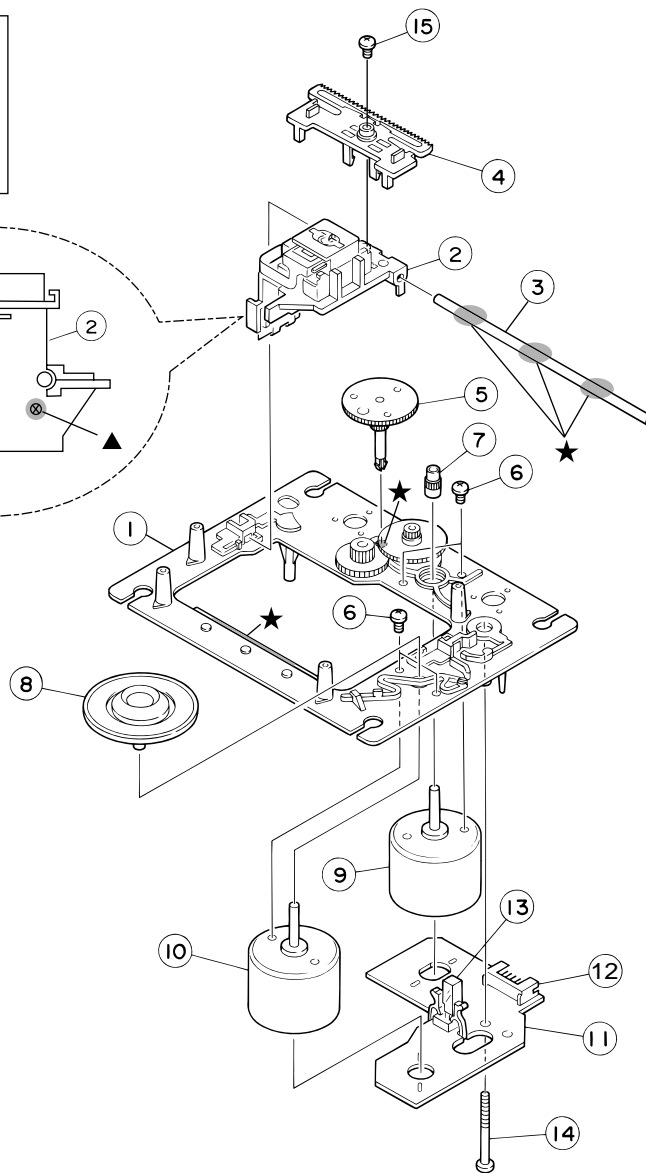
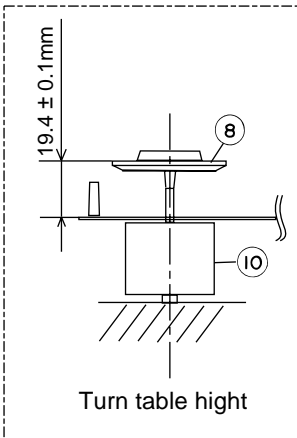
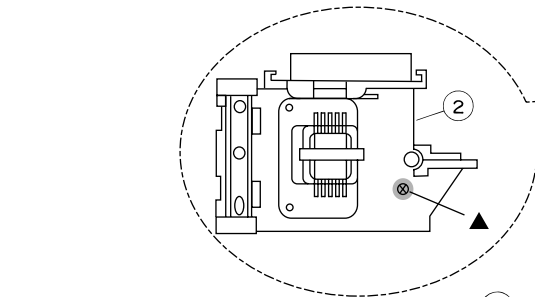
△	Item	Parts number	Parts name	Q'ty	Description	Area
	78	LV31770-002A	TUNER HOLDER	1		
	79	LV41873-001A	SPACER	1	FOR TU.HOL(PEFU	
	80	QYSBSF3010Z	SCREW	2	FOR TUNER HOLDE	
	81	VYSH101-027	SPACER	1	FOR WF WIRE	
	82	LV30064-074A	SPACER	1	PEFU 4X30(T2)	
	83	VYH5657-001	BATTERY SPRING	1		
	84	E65923-003	TAPPING SCREW	1	SUM3 PWB	
	87	LV10358-002A	REAR COVER	1		
	88	QYSBSF3010Z	SCREW	10		
	90	LV31769-001A	TRANS BRACKET	1		
	92	QYSBST4006Z	T.SCREW	4	TRANS	
	94	VKZ4001-111S	WIRE CLAMP	2		
	95	QYSBSF3010Z	SCREW	4	TRANS BKT+REAR	
	98	QYSBSF3010Z	SCREW	3	REAR+H.SINK PWB	
	102	QYSBSF3045Z	SCREW	10	FRONT+REAR	
	104	-----	CASSETTE MECHA	1		
	106	LV10345-002A	C.MECHA CHASSIS	1		
	107	QYSBSF3014M	SCREW	4	MECHA+CHASSIS	
	108	QYSBSF3010Z	SCREW	2	CHASSIS+REAR	
	127	LV31758-003A	LCD HOLDER	1	SPT E T0.4	
	128	LV41593-003A	SHEET	1	FOR LCD HOLDER	
	129	LV31772-003A	HEAT SINK	1		
	130	QYSBSF3012Z	SCREW	5		
	131	QYSBSF3008M	SCREW	4	H.SINK(A)+PWB	
	132	VMH4055-002	HEAT SINK	1	AL T2	
	133	LV31809-001A	DC HOLDER	1	DC JACK	
	134	LV30064-065A	SPACER	3	FOR TU.PWB	
	135	VYSA1R4-100	SPACER	1		
	137	LV41824-001A	BARRIER	1	FOR AC PWB	
	138	LV30064-062A	SPACER	1	FOR SW.PWB CR(T	
	139	LV41782-001A	SHIELD	1		
	140	VJC2603-002	BATTERY COVER	1		
	141	LV32592-007A	RATING LABEL	1		
△	142	QQT0293-002	POWER TRANSF	1	T1901	
△	143	QMFZ031-8R0-J1	FUSE	1	F1902	
△	144	QMF51E2-6R3-J1	FUSE	1	F1903	
△	145	QMF51E2-R63-J1	FUSE	1	F1901	
	146	QJJ010-061501	SIN CR C-C WIRE	1	MICOM - CD MOTO	
	148	QWTBG0H-100	VINYL TUBE	2		
	149	QUQ412-1707CJ	FFC WIRE	2	MICOM - MAIN	
	150	QUQ412-1414DJ	FFC WIRE	1	MICOM - SW	
	151	QUQ412-0918DJ	FFC WIRE	1	MICOM - SLC	
	152	QUQ610-1508AJ	FFC WIRE	1	CD PICK	
	153	QUQ412-0920DJ	FFC WIRE	1	MAIN - TUNER	
	154	QUQ412-1014CJ	FFC WIRE	1	MAIN - SLC	
	159	LV32586-001A	LED HOLDER(L)	1		
	160	LV32587-001A	LED HOLDER(R)	1		
	161	QYSBSF3008Z	SCREW	2	FOR LED HOLDER	

# CD mechanism assembly and parts list

Block No. M 2 M M

**Grease & Bond**

★ = EBS0006-013B  
 ▲ = 1401B



EXL-M7MB

■ **Parts list (CD mechanism)**

Block No. **M2MM**

Item	Parts number	Parts name	Q'ty	Description	Area
1	E102731-221SM	CD MECHA BASE A	1		
2	OPTIMA-7B	CD PICK	1		
3	E406777-002SM	CD SHAFT	1		
4	LV31002-001A	CD RACK	1		
5	E307745-441SM	CD GEAR 3	1		
6	QYSDSP2003N	SCREW	4		
7	E406750-442SM	PINION	1		
8	EPB-001PK	T.TABLE ASSY	1		
9	E406784-001	FEED MOTOR	1		
10	QAR0130-001	SP MOTOR	1		
11	EMW10190-441	CIR BOARD	1		
12	QGA2001F1-06	6P PLUG ASSY	1	FOR P011	
13	QSW0506-001	LEAF SW	1	FOR S001	
14	E75832-221SS	SPECIAL SCREW	1	FOR M.CB	
15	QYSDSF2606Z	SCREW	1		

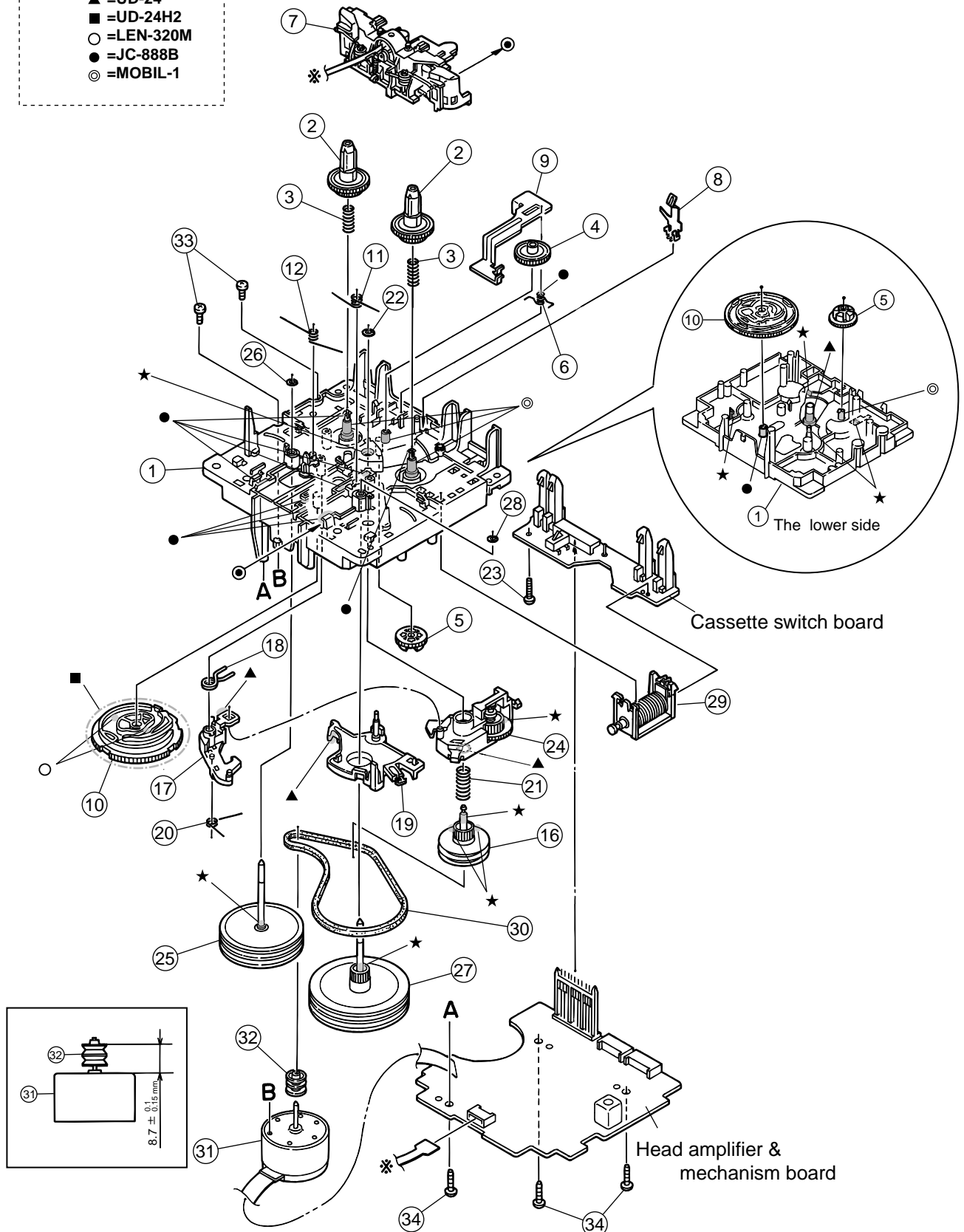
# Cassette mechanism assembly and parts list

SLC-S11YPM

Block No. M 3 M M

**Grease**

- ★ =EM-30L
- ▲ =UD-24
- =UD-24H2
- =LEN-320M
- =JC-888B
- ◎ =MOBIL-1



## ■ Parts list (Cassette mechanism)

Block No. M3MM

△	Item	Parts number	Parts name	Q'ty	Description	Area
	1	VKS1165-00J	CHASSIS B.ASS'Y	1		
	2	VKS2274-002	REEL GEAR	2		
	3	VKW5286-002	B.T. SPRING	2		
	4	VKS5559-001	PLAY IDLE GEAR	1		
	5	VKS5597-00B	BLIND	1		
	6	VKW5296-001	EARTH SPRING	1		
	7	SLC-RP1SVM	HEAD MOUNT ASSY	1		
	8	VKY3149-002	CASSETTE SP.	1		
	9	VKM3906-002	PLAY SW.LEVER	1		
	10	VKS1166-003	CONTROL CAM	1		
	11	VKW5279-001	HEAD BASE SP(R)	1		
	12	VKW5280-001	HEAD BASE SP(L)	1		
	16	VKS5603-00G	MAIN PULLEY ASY	1		
	17	VKS3785-001MM	FR ARM	1		
	18	VKW5284-002	SWING SPRING	1		
	19	VKS2278-003	TRIGGER ARM	1		
	20	VKW5301-001	FR SPRING	1		
	21	VKW5266-001	ELEVATOR SPRING	1		
	22	WDL214025	WASHER	1		
	23	QYSBSF2005Z	T.SCREW	1		
	24	VKS3786-00G	CLUTCH ASS'Y	1		
	25	VKF3205-00B	F.WHEEL ASSY(R)	1		
	26	WDL183425	SLIT WASHER	1		
	27	VKF3207-00B	F.WHEEL ASSY(L)	1		
	28	WDL173525-6	SLIT WASHER	1		
	29	VKZ3174-00A	DC SOLENOID	1		
	30	LV42234-001A	CAPSTAN BELT	1		
	31	MSI-5U2LWA	D.C.MOTOR ASS'Y	1		
	32	VKR4761-001	MOTOR PULLEY	1		
	33	QYSPSP2604Z	SCREW	2		
	34	QYSBSF2608Z	T.SCREW	3	FOR P.W.B.	

## ■ Electrical parts list (Main board)

Block No. 01

△	Item	Parts number	Parts name	Remarks	Area	△	Item	Parts number	Parts name	Remarks	Area
	BS 1	VYH5483-001	BATTERY SPRING	FOR UM-1			C5303	QEK1HM-225Z	E CAPACITOR	2.2MF 20% 50V	
	BS 2	VYH7199-001	BATTERY SPRING	FOR UM-3			C5304	QER61HM-105Z	E CAPACITOR	1.0MF 20% 50V	
	CN191	QGA2501F1-03	CONNECTOR				C5305	QEK1CM-107Z	E CAPACITOR	100MF 20% 16V	
	CN192	QGB2501K1-04	CONNECTOR				C5306	QEK1EM-475Z	E CAPACITOR	4.7MF 20% 25V	
	CN193	QGA2501C1-05	5P CONNECTOR				C5308	QEK1HM-474Z	E CAPACITOR	.47MF 20% 50V	
△	CN194	QGA7901F2-02	CONNECTOR				C5309	QER61HM-474Z	E CAPACITOR	.47MF 20% 50V	
	CN195	QGA3901C1-02	CONNECTOR				C6101	QFVF1HJ-224Z	MF CAPACITOR	.22MF 5% 50V	
	CN196	QGA2501C1-09	9P CONNECTOR				C6102	NCS21HJ-471X	C CAPACITOR		
	CN401	QGA2501F1-03	CONNECTOR				C6103	QETN1EM-476Z	E CAPACITOR	47MF 20% 25V	
	CN410	QGA2501F1-07	CONNECTOR				C6104	QFVF1HJ-104Z	MF CAPACITOR	.10MF 5% 50V	
	CN411	QGF1205F1-17	CONNECTOR				C6105	QETN1EM-476Z	E CAPACITOR	47MF 20% 25V	
	CN412	QGF1205F1-17	CONNECTOR				C6106	QETM1EM-108	E CAPACITOR	1000MF 20% 25V	
	CN413	QGF1205F1-09	CONNECTOR				C6107	QTE1E06-476Z	E CAPACITOR		
	CN415	QGF1205F1-10	CONNECTOR				C6201	QFVF1HJ-224Z	MF CAPACITOR	.22MF 5% 50V	
	CN417	QGB1216J1-10S	CONNECTOR				C6202	NCS21HJ-471X	C CAPACITOR		
	CN418	QGB1216J1-10S	CONNECTOR				C6203	QETN1EM-476Z	E CAPACITOR	47MF 20% 25V	
	CN419	QGA2501F1-06	CONNECTOR				C6204	QFVF1HJ-104Z	MF CAPACITOR	.10MF 5% 50V	
	CN427	QGB1216K1-10S	CONNECTOR	MAIN			C6205	QETN1EM-476Z	E CAPACITOR	47MF 20% 25V	
	CN428	QGB1216K1-10S	CONNECTOR	MAIN			C6206	QETM1EM-108	E CAPACITOR	1000MF 20% 25V	
	C1901	QFLM1HJ-683Z	M CAPACITOR	.068MF 5% 50V			C6207	QTE1E06-476Z	E CAPACITOR		
	C1902	QFLM1HJ-683Z	M CAPACITOR	.068MF 5% 50V			C6301	QETN1EM-227Z	E CAPACITOR	220MF 20% 25V	
	C1903	QFLM1HJ-683Z	M CAPACITOR	.068MF 5% 50V			C6302	QETN1EM-107Z	E CAPACITOR	100MF 20% 25V	
	C1904	QFLM1HJ-683Z	M CAPACITOR	.068MF 5% 50V			C6303	QFVF1HJ-104Z	MF CAPACITOR	.10MF 5% 50V	
	C3191	QEK1HM-475Z	AL E. CAPACITOR	4.7MF 20% 50V			C6304	QFVF1HJ-334Z	MF CAPACITOR	.33MF 5% 50V	
	C3192	QETN1EM-107Z	E CAPACITOR	100MF 20% 25V			C6305	QETN1HM-105Z	E CAPACITOR	1.0MF 20% 50V	
	C3193	NCS21HJ-101X	C CAPACITOR				C6306	QETN1AM-227Z	E CAPACITOR	220MF 20% 10V	
	C3194	QETN1EM-107Z	E CAPACITOR	100MF 20% 25V			C6307	QETN1EM-107Z	E CAPACITOR	100MF 20% 25V	
	C3301	NCB21HK-103X	C CAPACITOR				C6308	QDGB1HK-102Y	C CAPACITOR		
	C3302	NCS21HJ-221X	C CAPACITOR				C6401	QETM1EM-688	E CAPACITOR	6800MF 20% 25V	
	C3303	QER61CM-107Z	E CAPACITOR	100MF 20% 16V			C6402	QETN1HM-106Z	E CAPACITOR	10MF 20% 50V	
	C3401	QEK1AM-107Z	E CAPACITOR	100MF 20% 10V			C6403	QETN1HM-474Z	E CAPACITOR	47MF 20% 50V	
	C3402	QEK1EM-475Z	E CAPACITOR	4.7MF 20% 25V			C6404	QETN1HM-106Z	E CAPACITOR	10MF 20% 50V	
	C3801	QETN1AM-477Z	E CAPACITOR	470MF 20% 10V			C6405	QETN1HM-106Z	E CAPACITOR	10MF 20% 50V	
	C3802	QEK1CM-107Z	E CAPACITOR	100MF 20% 16V			C6406	QETN1EM-227Z	E CAPACITOR	220MF 20% 25V	
	C3901	QETN1AM-107Z	E CAPACITOR	100MF 20% 10V			C6407	QETN1HM-106Z	E CAPACITOR	10MF 20% 50V	
	C3902	QFVF1HJ-104Z	MF CAPACITOR	.10MF 5% 50V			C6408	QFVF1HJ-104Z	MF CAPACITOR	.10MF 5% 50V	
	C4142	NCS21HJ-150X	C CAPACITOR				C6409	QFVF1HJ-104Z	MF CAPACITOR	.10MF 5% 50V	
	C4143	QEK1HM-474Z	E CAPACITOR	.47MF 20% 50V			C6410	NCS21HJ-471X	C CAPACITOR		
	C4144	QEK1EM-475Z	E CAPACITOR	4.7MF 20% 25V			C6411	QFVF1HJ-104Z	MF CAPACITOR	.10MF 5% 50V	
	C4145	QTE1V06-106Z	E CAPACITOR				C6412	QFVF1HJ-104Z	MF CAPACITOR	.10MF 5% 50V	
	C4151	NCS21HJ-681X	C CAPACITOR				C6413	QFVF1HJ-104Z	MF CAPACITOR	.10MF 5% 50V	
	C4242	NCS21HJ-150X	C CAPACITOR				C6414	QETN1HM-474Z	E CAPACITOR	.47MF 20% 50V	
	C4243	QEK1HM-474Z	E CAPACITOR	.47MF 20% 50V			C6415	NCS21HJ-471X	C CAPACITOR		
	C4244	QEK1EM-475Z	E CAPACITOR	4.7MF 20% 25V			C7301	QETN1CM-107Z	E CAPACITOR	100MF 20% 16V	
	C4245	QTE1V06-106Z	E CAPACITOR				C7302	QETN1HM-474Z	E CAPACITOR	.47MF 20% 50V	
	C4251	NCS21HJ-681X	C CAPACITOR				C7303	QCSB1HK-3R3Y	C CAPACITOR	3.3PF 10% 50V	
	C4341	QEK1CM-476Z	E CAPACITOR	47MF 20% 16V			C7305	QETN1HM-475Z	E CAPACITOR	4.7MF 20% 50V	
	C4342	QEK1CM-107Z	E CAPACITOR	100MF 20% 16V			C7306	QFVF1HJ-274Z	MF CAPACITOR	.27MF 5% 50V	
	C4361	QEK1CM-226Z	E CAPACITOR	22MF 20% 16V			C7308	QFLM1HJ-103Z	M CAPACITOR	.010MF 5% 50V	
	C5102	QEK1EM-475Z	E CAPACITOR	4.7MF 20% 25V			C7309	QETN1CM-107Z	E CAPACITOR	100MF 20% 16V	
	C5103	QEK1CM-106Z	E CAPACITOR	10MF 20% 16V			C7310	QFLM1HJ-153Z	M CAPACITOR	.015MF 5% 50V	
	C5104	QFLM1HJ-563Z	M CAPACITOR	.056MF 5% 50V			C7311	QETN1HM-475Z	E CAPACITOR	4.7MF 20% 50V	
	C5105	QFLM1HJ-563Z	M CAPACITOR	.056MF 5% 50V			C7312	QETN1HM-105Z	E CAPACITOR	1.0MF 20% 50V	
	C5106	QFLM1HJ-562Z	M CAPACITOR	5600PF 5% 50V			C7313	QETN1HM-475Z	E CAPACITOR	4.7MF 20% 50V	
	C5107	QFLM1HJ-182Z	M CAPACITOR	1800PF 5% 50V			C7314	QETN1CM-107Z	E CAPACITOR	100MF 20% 16V	
	C5202	QEK1EM-475Z	E CAPACITOR	4.7MF 20% 25V			C7316	QETN1HM-475Z	E CAPACITOR	4.7MF 20% 50V	
	C5203	QEK1CM-106Z	E CAPACITOR	10MF 20% 16V			C7317	QFVF1HJ-104Z	MF CAPACITOR	.10MF 5% 50V	
	C5204	QFLM1HJ-563Z	M CAPACITOR	.056MF 5% 50V			C7318	QETN1CM-107Z	E CAPACITOR	100MF 20% 16V	
	C5205	QFLM1HJ-563Z	M CAPACITOR	.056MF 5% 50V			C7319	QFVF1HJ-104Z	MF CAPACITOR	.10MF 5% 50V	
	C5206	QFLM1HJ-562Z	M CAPACITOR	5600PF 5% 50V			C7320	QFLM1HJ-393Z	M CAPACITOR	.039MF 5% 50V	
	C5207	QFLM1HJ-182Z	M CAPACITOR	1800PF 5% 50V			C7321	QFVF1HJ-154Z	MF CAPACITOR	.15MF 5% 50V	
	C5301	QEK1CM-106Z	E CAPACITOR	10MF 20% 16V			C7322	QER61HM-105Z	E CAPACITOR	1.0MF 20% 50V	
	C5302	QER61HM-105Z	E CAPACITOR	1.0MF 20% 50V			C7323	QEK1CM-106Z	E CAPACITOR	10MF 20% 16V	



## ■ Electrical parts list (Main board)

Block No. 01

△	Item	Parts number	Parts name	Remarks	Area	△	Item	Parts number	Parts name	Remarks	Area
	C7324	QETN1CM-106Z	E CAPACITOR	10MF 20% 16V			Q3301	2SA1037AK/RS/-X	TRANSISTOR		
	C8101	QFLM1HJ-563Z	M CAPACITOR	.056MF 5% 50V		△	Q3302	2SB1565/EF/	TRANSISTOR		
	C8102	QFLM1HJ-563Z	M CAPACITOR	.056MF 5% 50V			Q3303	DTA144TKA-X	TRANSISTOR		
	C8103	QTE1E06-476Z	E CAPACITOR				Q3304	DTC144TKA-X	TRANSISTOR		
	C8201	QFLM1HJ-563Z	M CAPACITOR	.056MF 5% 50V			Q3305	2SC2412K/R/-X	TRANSISTOR		
	C8202	QFLM1HJ-563Z	M CAPACITOR	.056MF 5% 50V			Q3306	2SC2412K/R/-X	TRANSISTOR		
	C8203	QTE1E06-476Z	E CAPACITOR			△	Q3401	2SA1037AK/RS/-X	TRANSISTOR	TUNER SWITCH	
	C8301	QEKC1CM-476Z	E CAPACITOR	47MF 20% 16V			Q3402	2SC2412K/R/-X	TRANSISTOR		
	C8302	QEKC1CM-476Z	E CAPACITOR	47MF 20% 16V			Q3801	2SC2001/LK/-T	TRANSISTOR		
	C8303	QEKC1HM-105Z	E CAPACITOR	1.0MF 20% 50V			Q4161	2SD596/4/-X	TRANSISTOR		
△	D1901	KBU603G-A3	DIODE				Q4261	2SD596/4/-X	TRANSISTOR		
	D1902	6A10E2	SI DIODE				Q4351	DTC144TKA-X	TRANSISTOR		
	D1903	6A10E2	SI DIODE				Q4352	DTC144TKA-X	TRANSISTOR		
	D3191	1SS133-T2	SI DIODE				Q6101	2SD2114K/VW/-X	CHIP TRANSISTOR	MUTE	
	D3192	MTZJ7.5A-T2	Z.DIODE				Q6201	2SD2114K/VW/-X	CHIP TRANSISTOR	MUTE	
	D3193	SRT14	DIODE			△	Q6301	2SA952/LK/-T	TRANSISTOR	POUT	
	D3194	MTZJ7.5A-T2	Z.DIODE				Q6302	2SC2412K/R/-X	TRANSISTOR	POUT	
	D3195	1SS133-T2	SI DIODE				Q6401	DTA114EKA-X	D TRANSISTOR		
	D3196	1SS133-T2	SI DIODE				Q6402	2SD2114K/VW/-X	TRANSISTOR		
	D3301	1SS133-T2	SI DIODE				Q7301	2SC2412K/R/-X	TRANSISTOR		
	D3302	MTZJ9.1A-T2	ZENER DIODE				Q7302	2SC2412K/R/-X	TRANSISTOR		
	D3303	1SS133-T2	SI DIODE				Q7303	2SK105/EF/-T	TRANSISTOR(FET)		
	D3401	1SS133-T2	SI DIODE				Q7304	DTC114EKA-X	TRANSISTOR		
	D3402	1SS133-T2	SI DIODE				Q7305	DTC114EKA-X	TRANSISTOR		
	D3403	MTZJ3.9B-T2	ZENER DIODE				Q7306	DTC114EKA-X	TRANSISTOR		
	D3901	MTZJ8.2B-T2	DIODE				Q7307	DTC114EKA-X	TRANSISTOR		
	D6301	1SS133-T2	SI DIODE				Q7308	DTC114EKA-X	TRANSISTOR		
	D6401	1SS133-T2	SI DIODE				Q8101	2SC2412K/R/-X	TRANSISTOR		
	D7301	1SS133-T2	SI DIODE				Q8201	2SC2412K/R/-X	TRANSISTOR		
	D7302	1SS133-T2	SI DIODE				R1901	QRE141J-103Y	C RESISTOR	10K 5% 1/4W	
	D7303	1SS133-T2	SI DIODE				R3190	NRSA02J-101X	MG RESISTOR		
	D7304	1SS133-T2	SI DIODE			△	R3191	QRE141J-2R2Y	C RESISTOR	2.2 5% 1/4W	
	D7305	1SS133-T2	SI DIODE				R3192	NRSA02J-152X	MG RESISTOR		
	D7306	1SS133-T2	SI DIODE				R3193	NRSA02J-104X	MG RESISTOR		
	D7307	MTZJ4.3B-T2	ZENER DIODE				R3194	NRSA02J-103X	MG RESISTOR		
	D7351	1SS133-T2	SI DIODE				R3195	NRSA02J-222X	MG RESISTOR		
	D8301	MTZJ4.3B-T2	ZENER DIODE				R3196	NRSA02J-103X	MG RESISTOR		
	FW101	QJK019-033803	SIN CR C-B WIRE	PRIMARY - SECON		△	R3197	QAD0015-153Z	THERMISTOR		
	FW103	WJK0003-002A	E-SI C WIRE C-B	BATT - SECONDAR			R3198	NRSA02J-472X	MG RESISTOR		
	FW106	WJK0110-001A	E-SI C WIRE C-B	POWER - SECONDA			R3199	NRSA02J-473X	MG RESISTOR		
	FW107	WJK0004-002A	E-SI C WIRE C-B	POWER - WOOFER			R3200	NRSA02J-123X	MG RESISTOR		
	FW414	QJK025-052600	SIN CR C-B WIRE	MAIN - MIC/GUIT			R3201	NRSA02J-152X	MG RESISTOR		
△	IC390	KIA78DL06PI	IC				R3202	NRSA02J-152X	MG RESISTOR		
	IC401	BA15218F-XE	IC	ADDER			R3203	NRSA02J-822X	MG RESISTOR		
	IC501	BH3852S	IC				R3204	NRSA02J-472X	MG RESISTOR		
△	IC631	TA8223K	IC				R3301	NRSA02J-471X	MG RESISTOR		
△	IC641	TA8233H	IC			△	R3302	QRE141J-1R0Y	C RESISTOR	1.0 5% 1/4W	
	IC701	BA15218F-XE	IC			△	R3303	QRE141J-1R0Y	C RESISTOR	1.0 5% 1/4W	
	IC702	BA15218F-XE	IC			△	R3304	QRE141J-1R0Y	C RESISTOR	1.0 5% 1/4W	
	IC703	BA15218F-XE	IC				R3305	NRSA02J-222X	MG RESISTOR		
	IC704	BA15218F-XE	IC				R3306	NRSA02J-682X	MG RESISTOR		
	IC801	BA15218F-XE	IC				R3307	NRSA02J-102X	MG RESISTOR		
△	J1901	QNC0042-001	AC SOCKET				R3308	NRSA02J-222X	MG RESISTOR		
△	J1902	QNA0016-001	DC JACK				R3309	NRSA02J-681X	MG RESISTOR		
	L3191	QLL28AK-101	CHOKE COIL				R3310	NRSA02J-681X	MG RESISTOR		
△	Q3191	DTA143TKA-X	TRANSISTOR				R3311	NRSA02J-681X	MG RESISTOR		
	Q3192	2SA1359/OY/	TRANSISTOR				R3312	NRSA02J-472X	MG RESISTOR		
	Q3193	DTA114TKA-X	D TARANSISTOR				R3313	NRSA02J-471X	MG RESISTOR		
	Q3194	2SC2412K/R/-X	TRANSISTOR				R3314	NRSA02J-332X	MG RESISTOR		
	Q3195	2SA1175/HFE/-T	TRANSISTOR				R3315	NRSA02J-472X	MG RESISTOR		
△	Q3196	2SA934/QR/-T	TRANSISTOR				R3316	NRSA02J-472X	MG RESISTOR		
	Q3197	2SC2785/FE/-T	TRANSISTOR				R3317	NRSA02J-682X	MG RESISTOR		
	Q3198	DTC114TKA-X	TRANSISTOR				R3318	NRSA02J-332X	MG RESISTOR		

## ■ Electrical parts list (Main board)

Block No. 01

△	Item	Parts number	Parts name	Remarks	Area	△	Item	Parts number	Parts name	Remarks	Area
	R3401	NRSA02J-390X	MG RESISTOR				R6401	NRSA02J-153X	MG RESISTOR		
	R3402	NRSA02J-102X	MG RESISTOR				R6402	NRSA02J-102X	MG RESISTOR		
	R3403	NRSA02J-472X	MG RESISTOR				R6403	NRSA02J-473X	MG RESISTOR		
	R3801	NRSA02J-0R0X	MG RESISTOR				R6404	NRSA02J-391X	MG RESISTOR		
	R3802	NRSA02J-331X	MG RESISTOR				R6405	NRSA02J-473X	MG RESISTOR		
△	R3901	QRZ9006-4R7X	F RESISTOR	4.7 1/4W			R6406	NRSA02J-391X	MG RESISTOR		
	R4142	NRSA02J-303X	MG RESISTOR				R6407	NRSA02J-224X	MG RESISTOR		
	R4143	NRSA02J-224X	MG RESISTOR			△	R6408	QRE141J-2R2Y	C RESISTOR	2.2 5% 1/4W	
	R4145	NRSA02J-124X	MG RESISTOR			△	R6409	QRE141J-2R2Y	C RESISTOR	2.2 5% 1/4W	
	R4146	NRSA02J-124X	MG RESISTOR			△	R6410	QRE141J-2R2Y	C RESISTOR	2.2 5% 1/4W	
	R4147	NRSA02J-913X	MG RESISTOR			△	R6411	QRE141J-2R2Y	C RESISTOR	2.2 5% 1/4W	
	R4151	NRSA02J-154X	MG RESISTOR				R7301	NRSA02J-473X	MG RESISTOR		
	R4152	NRSA02J-183X	MG RESISTOR				R7303	QRE141J-101Y	C RESISTOR	100 5% 1/4W	
	R4153	NRSA02J-473X	MG RESISTOR				R7305	NRSA02J-224X	MG RESISTOR		
	R4161	NRSA02J-333X	MG RESISTOR				R7307	NRSA02J-394X	MG RESISTOR		
	R4162	NRSA02J-102X	MG RESISTOR				R7308	NRSA02J-104X	MG RESISTOR		
	R4163	NRSA02J-332X	MG RESISTOR				R7309	NRSA02J-333X	MG RESISTOR		
	R4164	NRSA02J-821X	MG RESISTOR				R7310	QRE141J-101Y	C RESISTOR	100 5% 1/4W	
	R4165	NRSA02J-562X	MG RESISTOR				R7311	NRSA02J-184X	MG RESISTOR		
	R4191	NRSA02J-433X	MG RESISTOR				R7312	NRSA02J-104X	MG RESISTOR		
	R4242	NRSA02J-303X	MG RESISTOR				R7313	NRSA02J-104X	MG RESISTOR		
	R4243	NRSA02J-224X	MG RESISTOR				R7314	NRSA02J-273X	MG RESISTOR		
	R4245	NRSA02J-124X	MG RESISTOR				R7316	NRSA02J-104X	MG RESISTOR		
	R4246	NRSA02J-124X	MG RESISTOR				R7317	NRSA02J-104X	MG RESISTOR		
	R4247	NRSA02J-913X	MG RESISTOR				R7318	QRE141J-101Y	C RESISTOR	100 5% 1/4W	
	R4251	NRSA02J-154X	MG RESISTOR				R7319	NRSA02J-202X	MG RESISTOR		
	R4252	NRSA02J-183X	MG RESISTOR				R7320	NRSA02J-221X	MG RESISTOR		
	R4253	NRSA02J-473X	MG RESISTOR				R7321	NRSA02J-224X	MG RESISTOR		
	R4261	NRSA02J-333X	MG RESISTOR				R7322	NRSA02J-563X	MG RESISTOR		
	R4262	NRSA02J-102X	MG RESISTOR				R7323	NRSA02J-102X	MG RESISTOR		
	R4263	NRSA02J-332X	MG RESISTOR				R7324	NRSA02J-103X	MG RESISTOR		
	R4264	NRSA02J-821X	MG RESISTOR				R7325	NRSA02J-103X	MG RESISTOR		
	R4265	NRSA02J-562X	MG RESISTOR				R7326	NRSA02J-153X	MG RESISTOR		
	R4291	NRSA02J-433X	MG RESISTOR				R7327	NRSA02J-105X	MG RESISTOR		
	R4341	NRSA02J-103X	MG RESISTOR				R7328	NRSA02J-332X	MG RESISTOR		
	R4342	NRSA02J-103X	MG RESISTOR				R7329	NRSA02J-102X	MG RESISTOR		
	R4343	QRE141J-101Y	C RESISTOR	100 5% 1/4W			R7330	NRSA02J-103X	MG RESISTOR		
	R5101	NRSA02J-223X	MG RESISTOR				R7331	NRSA02J-472X	MG RESISTOR		
	R5102	NRSA02J-153X	MG RESISTOR				R7332	QRE141J-101Y	C RESISTOR	100 5% 1/4W	
	R5107	NRSA02J-104X	MG RESISTOR				R7333	NRSA02J-153X	MG RESISTOR		
	R5201	NRSA02J-223X	MG RESISTOR				R7334	NRSA02J-243X	MG RESISTOR		
	R5202	NRSA02J-153X	MG RESISTOR				R7336	NRSA02J-243X	MG RESISTOR		
	R5207	NRSA02J-104X	MG RESISTOR				R7338	NRSA02J-124X	MG RESISTOR		
	R5301	NRSA02J-104X	MG RESISTOR				R7342	NRSA02J-183X	MG RESISTOR		
	R5302	NRSA02J-333X	MG RESISTOR				R7344	NRSA02J-104X	MG RESISTOR		
	R5303	NRSA02J-104X	MG RESISTOR				R7351	NRSA02J-153X	MG RESISTOR		
	R5305	QRE141J-101Y	C RESISTOR	100 5% 1/4W			R7352	NRSA02J-102X	MG RESISTOR		
	R5308	NRSA02J-154X	MG RESISTOR				R7353	NRSA02J-123X	MG RESISTOR		
	R6101	NRSA02J-562X	MG RESISTOR				R7354	NRSA02J-153X	MG RESISTOR		
	R6102	NRSA02J-221X	MG RESISTOR				R7355	NRSA02J-102X	MG RESISTOR		
△	R6103	NRSA02J-103X	MG RESISTOR				R7356	NRSA02J-182X	MG RESISTOR		
	R6104	QRE141J-2R2Y	C RESISTOR	2.2 5% 1/4W			R7357	NRSA02J-102X	MG RESISTOR		
	R6105	NRSA02J-472X	MG RESISTOR				R7358	NRSA02J-472X	MG RESISTOR		
	R6201	NRSA02J-562X	MG RESISTOR				R7359	NRSA02J-102X	MG RESISTOR		
	R6202	NRSA02J-221X	MG RESISTOR				R7360	NRSA02J-153X	MG RESISTOR		
	R6203	NRSA02J-103X	MG RESISTOR				R8101	NRSA02J-332X	MG RESISTOR		
△	R6204	QRE141J-2R2Y	C RESISTOR	2.2 5% 1/4W			R8102	NRSA02J-272X	MG RESISTOR		
	R6205	NRSA02J-472X	MG RESISTOR				R8103	NRSA02J-392X	MG RESISTOR		
	R6301	NRSA02J-332X	MG RESISTOR				R8104	NRSA02J-104X	MG RESISTOR		
	R6302	NRSA02J-222X	MG RESISTOR				R8105	NRSA02J-332X	MG RESISTOR		
	R6303	NRSA02J-562X	MG RESISTOR				R8106	NRSA02J-123X	MG RESISTOR		
	R6304	NRSA02J-104X	MG RESISTOR				R8107	NRSA02J-103X	MG RESISTOR		
	R6305	NRSA02J-122X	MG RESISTOR				R8111	NRSA02J-224X	MG RESISTOR		

## ■ Electrical parts list (Main board)

Block No. 01

△	Item	Parts number	Parts name	Remarks	Area
	R8201	NRSA02J-332X	MG RESISTOR		
	R8202	NRSA02J-272X	MG RESISTOR		
	R8203	NRSA02J-392X	MG RESISTOR		
	R8204	NRSA02J-104X	MG RESISTOR		
	R8205	NRSA02J-332X	MG RESISTOR		
	R8206	NRSA02J-123X	MG RESISTOR		
	R8207	NRSA02J-103X	MG RESISTOR		
	R8211	NRSA02J-224X	MG RESISTOR		
	R8301	NRSA02J-102X	MG RESISTOR		
	R8302	NRSA02J-474X	MG RESISTOR		
	R8321	QRE141J-101Y	C RESISTOR	100 5% 1/4W	
	R8327	NRSA02J-101X	MG RESISTOR		
	Z1901	QNG0003-001Z	FUSE CLIP		
	Z1902	QNG0003-001Z	FUSE CLIP	FOR F1902	
	Z1903	QNG0003-001Z	FUSE CLIP	FOR F1903	
	Z1911	QNG0003-001Z	FUSE CLIP		
	Z1912	QNG0003-001Z	FUSE CLIP		
	Z1913	QNG0003-001Z	FUSE CLIP		

## ■ Electrical parts list (Micon board)

Block No. 02

△	Item	Parts number	Parts name	Remarks	Area	△	Item	Parts number	Parts name	Remarks	Area
	C 604	QEKC1AM-107Z	E CAPACITOR	100MF 20% 10V			CN961	QGB1214J1-06S	CONNECTOR		
	C 605	QETN1HM-106Z	E CAPACITOR	10MF 20% 50V			C2101	QEKC1HM-104Z	E CAPACITOR	.10MF 20% 50V	
	C 606	NCB21HK-102X	C CAPACITOR				C2102	NCB21HK-561X	C CAPACITOR		
	C 607	NCB21HK-102X	C CAPACITOR				C2103	NCB21HK-561X	C CAPACITOR		
	C 608	QETN1HM-105Z	E CAPACITOR	1.0MF 20% 50V			C2104	QEKC1CM-106Z	E CAPACITOR	10MF 20% 16V	
	C 609	NCS21HJ-101X	C CAPACITOR				C2105	QEKC1CM-106Z	E CAPACITOR	10MF 20% 16V	
	C 610	QFLM1HJ-273Z	M CAPACITOR	.027MF 5% 50V			C2106	NCB21HK-472X	C CAPACITOR		
	C 611	NCB21HK-472X	C CAPACITOR				C2107	NCB21HK-472X	C CAPACITOR		
	C 612	NCB21HK-103X	C CAPACITOR				C2108	NCF21HZ-104X	C CAPACITOR		
	C 613	NCS21HJ-331X	C CAPACITOR				C2201	QEKC1HM-104Z	E CAPACITOR	.10MF 20% 50V	
	C 614	QFVF1HJ-104Z	MF CAPACITOR	.10MF 5% 50V			C2202	NCB21HK-561X	C CAPACITOR		
	C 615	NCB21HK-223X	C CAPACITOR				C2203	NCB21HK-561X	C CAPACITOR		
	C 616	NCB21HK-223X	C CAPACITOR				C2204	QEKC1CM-106Z	E CAPACITOR	10MF 20% 16V	
	C 617	NCB21HK-223X	C CAPACITOR				C2205	QEKC1CM-106Z	E CAPACITOR	10MF 20% 16V	
	C 618	NCB21HK-222X	C CAPACITOR				C2206	NCB21HK-472X	C CAPACITOR		
	C 619	NCS21HJ-271X	C CAPACITOR				C2207	NCB21HK-472X	C CAPACITOR		
	C 620	NCS21HJ-181X	C CAPACITOR				C2208	NCF21HZ-104X	C CAPACITOR		
	C 622	QETN1EM-476Z	E CAPACITOR	47MF 20% 25V			C2301	QEKC1CM-226Z	E CAPACITOR	22MF 20% 16V	
	C 623	QFVF1HJ-104Z	MF CAPACITOR	.10MF 5% 50V			C2302	QEKC1CM-226Z	E CAPACITOR	22MF 20% 16V	
	C 628	QDX31EM-473Z	C CAPACITOR				C2303	QEKC1CM-106Z	E CAPACITOR	10MF 20% 16V	
	C 629	QETN1AM-107Z	E CAPACITOR	100MF 20% 10V			C2304	NCF21HZ-104X	C CAPACITOR		
	C 631	QETN1AM-477Z	E CAPACITOR	470MF 20% 10V			C2307	NCF21HZ-104X	C CAPACITOR		
	C 632	QEKC1AM-107Z	E CAPACITOR	100MF 20% 10V			C2308	NCF21HZ-104X	C CAPACITOR		
	C 640	NCB21HK-822X	C CAPACITOR				C2309	NCF21HZ-104X	C CAPACITOR		
	C 641	NCB21HK-223X	C CAPACITOR				C2311	NCB21HK-103X	C CAPACITOR		
	C 651	NCS21HJ-270X	C CAPACITOR				C2501	NCB21HK-103X	C CAPACITOR		
	C 652	NCS21HJ-270X	C CAPACITOR				C2502	NCB21HK-103X	C CAPACITOR		
	C 653	NCB21HK-223X	C CAPACITOR				C2503	NCB21HK-103X	C CAPACITOR		
	C 655	QDX31EM-473Z	C CAPACITOR				C2504	NCB21HK-103X	C CAPACITOR		
	C 661	NCB21HK-471X	C CAPACITOR				C2505	QER61CM-476Z	E CAPACITOR	47MF 20% 16V	
	C 662	NCB21HK-223X	C CAPACITOR				C2506	NCB21HK-103X	C CAPACITOR		
	C 663	QFLM1HJ-223Z	M CAPACITOR	.022MF 5% 50V			C2507	NCB21HK-103X	C CAPACITOR		
	C 664	NCB21HK-223X	C CAPACITOR				C6150	QETN1HM-105Z	E CAPACITOR	1.0MF 20% 50V	
	C 665	QFVF1HJ-104Z	MF CAPACITOR	.10MF 5% 50V			C6151	NCS21HJ-151X	C CAPACITOR		
	C 666	NCB21HK-102X	C CAPACITOR				C6152	NCS21HJ-151X	C CAPACITOR		
	C 667	QFLC1HJ-473Z	M CAPACITOR	PITCH CON			C6153	QETN1AM-107Z	E CAPACITOR	100MF 20% 10V	
	C 668	QENC1HM-105Z	NP E. CAPACITOR	PITCH CON			C6250	QETN1HM-105Z	E CAPACITOR	1.0MF 20% 50V	
	C 671	NCB21HK-222X	C CAPACITOR				C6251	NCS21HJ-151X	C CAPACITOR		
	C 672	NCB21HK-222X	C CAPACITOR				C6252	NCS21HJ-151X	C CAPACITOR		
	C 673	QTE1A28-227Z	E CAPACITOR				C6253	QETN1AM-107Z	E CAPACITOR	100MF 20% 10V	
	C 674	NCB21HK-223X	C CAPACITOR				C6350	QETN1CM-107Z	E CAPACITOR	100MF 20% 16V	
	C 675	NCB21HK-102X	C CAPACITOR				C6351	QETN1EM-476Z	E CAPACITOR	47MF 20% 25V	
	C 691	NCS21HJ-151X	C CAPACITOR				C6352	QETN1HM-475Z	E CAPACITOR	4.7MF 20% 50V	
	C 692	NCS21HJ-151X	C CAPACITOR				C9001	NCB21HK-102X	C CAPACITOR		
	C 693	NCS21HJ-151X	C CAPACITOR				C9002	NCB21HK-102X	C CAPACITOR		
	C 694	NCS21HJ-151X	C CAPACITOR				C9003	NCB21HK-102X	C CAPACITOR		
	C 696	NCS21HJ-101X	C CAPACITOR				C9004	NCB21HK-102X	C CAPACITOR		
	C 697	NCS21HJ-101X	C CAPACITOR				C9005	NCB21HK-103X	C CAPACITOR		
	C 698	NCS21HJ-101X	C CAPACITOR				C9006	NCS21HJ-680X	C CAPACITOR		
	C 699	NCS21HJ-101X	C CAPACITOR				C9007	NCS21HJ-151X	C CAPACITOR		
	CN421	QGF1205F1-17	CONNECTOR	TO MAIN			C9008	NCS21HJ-101X	C CAPACITOR		
	CN422	QGF1205F1-17	CONNECTOR	TO MAIN			C9009	NCS21HJ-151X	C CAPACITOR		
	CN424	QGA2501F1-05	CONNECTOR	TO FUNC			C9010	QEKC1CM-106Z	E CAPACITOR	10MF 20% 16V	
	CN601	QGF1008F1-15	21-41 CONNECTOR	TO RF			C9011	QER61CM-106Z	E CAPACITOR	10MF 20% 16V	
	CN602	QGA2001C1-06	6P PLUG ASSY				C9012	QER61CM-106Z	E CAPACITOR	10MF 20% 16V	
	CN911	QGF1205F1-14	CONNECTOR	TO MAIN SW			C9013	NCS21HJ-151X	C CAPACITOR		
	CN912	QGA2501C1-02	2P CONNECTOR	TO CD DOOR			C9014	NCS21HJ-151X	C CAPACITOR		
	CN915	QGA2501C1-03	3P CONNECTOR	TO PL PWB			C9015	NCS21HJ-151X	C CAPACITOR		
	CN916	QGF1205F1-09	CONNECTOR	TO SLC			C9016	NCS21HJ-151X	C CAPACITOR		
	CN921	QGF1205F1-14	CONNECTOR	TO MICON			C9017	NCB21HK-102X	C CAPACITOR		
	CN923	QGA2501F1-03	CONNECTOR				C9018	NCS21HJ-151X	C CAPACITOR		
	CN924	QGA2501F1-06	CONNECTOR	TO MICON			C9019	NCS21HJ-151X	C CAPACITOR		
	CN951	QGB1214K1-06S	CONNECTOR				C9020	NCS21HJ-151X	C CAPACITOR		

## ■ Electrical parts list (Micon board)

Block No. 02

△	Item	Parts number	Parts name	Remarks	Area	△	Item	Parts number	Parts name	Remarks	Area
	C9021	NCS21HJ-151X	C CAPACITOR				D9503	1SS133-T2	SI DIODE		
	C9022	NCB21HK-103X	C CAPACITOR				D9601	1SS133-T2	SI DIODE		
	C9023	QEK1CM-476Z	E CAPACITOR	47MF 20% 16V			D9602	1SS133-T2	SI DIODE		
	C9024	NCB21HK-103X	C CAPACITOR				D9603	1SS133-T2	SI DIODE		
	C9025	NCB21HK-103X	C CAPACITOR				D9604	1SS133-T2	SI DIODE		
	C9026	QEK1AM-107Z	E CAPACITOR	100MF 20% 10V			D9605	1SS133-T2	SI DIODE		
	C9027	NCB21HK-103X	C CAPACITOR				FW420	QJK002-07140Z	SIN CR C-B WIRE	AUX/HP - MAIN	
	C9028	QEK1CM-226Z	E CAPACITOR	22MF 20% 16V			FW429	QJK002-06140Z	SIN CR C-B WIRE	AUX/HP - MAIN	
	C9029	NCS21HJ-220X	C CAPACITOR				FW913	QJK025-032403	SIN CR C-B WIRE	MICOM - PAD	
	C9030	NCS21HJ-560X	C CAPACITOR				FW914	QJK025-063001	SIN CR C-B WIRE	MICOM - RHYTHM	
	C9031	NCS21HJ-360X	C CAPACITOR				FW922	QJK002-022202	SIN CR C-B WIRE	MICOM - CD DOO	
	C9032	NCS21HJ-360X	C CAPACITOR				FW925	QJK002-030906	SIN CR C-B WIRE	MICOM - LAMP	
	C9033	NCS21HJ-560X	C CAPACITOR				IC231	M65575-0012FP-X	IC		
	C9034	NCS21HJ-151X	C CAPACITOR				IC232	BA15218F-XE	IC		
	C9035	NCS21HJ-220X	C CAPACITOR				IC251	RPM6938-SV4	IC	REMOCON	
	C9036	NCB21HK-102X	C CAPACITOR				IC601	AN8806SB-W	IC	RF AMP	
	C9501	QER61HM-474Z	E CAPACITOR	.47MF 20% 50V		△	IC602	BA6897FP-W	IC	DRIVER	
	C9502	NCS21HJ-470X	C CAPACITOR				IC603	MN35510	IC	1CHIP PROCESSER	
	C9503	QER61EM-475Z	E CAPACITOR	4.7MF 20% 25V			IC615	BA15218F-XE	IC		
	C9504	QER61CM-226Z	E CAPACITOR	22MF 20% 16V			IC901	MN101C38CJC	IC	MICON LSI	
	C9505	QER61HM-335Z	E CAPACITOR	3.3MF 20% 50V			IC902	IC-PST9131-T	IC	RESET IC	
	C9506	QER61HM-224Z	E CAPACITOR	.22MF 20% 50V			IC951	BA15218F-XE	IC		
	C9507	QER61HM-335Z	E CAPACITOR	3.3MF 20% 50V			IC961	BA15218F-XE	IC		
	C9508	QER61CM-336Z	E CAPACITOR	33MF 20% 16V			IC962	BA15218F-XE	IC		
	C9509	QER61CM-476Z	E CAPACITOR	47MF 20% 16V			IH601	VYH7237-001	IC HOLDER		
	C9510	QER61HM-105Z	E CAPACITOR	1.0MF 20% 50V			IH602	VYH7237-003	IC HOLDER		
	C9601	QER61HM-104Z	E CAPACITOR	.10MF 20% 50V			IH603	VYH7237-003	IC HOLDER		
	C9602	NCS21HJ-331X	C CAPACITOR				IH901	VYH7237-002	IC HOLDER		
	C9603	QER61HM-334Z	E CAPACITOR	.33MF 20% 50V			J4301	QNS0047-001	JACK		
	C9604	QER61HM-105Z	E CAPACITOR	1.0MF 20% 50V			J6301	QNS0032-001	JACK		
	C9605	QER61CM-476Z	E CAPACITOR	47MF 20% 16V			J9501	QNS0091-001	JACK	MIC JACK	
	C9606	QER61HM-105Z	E CAPACITOR	1.0MF 20% 50V			J9601	QNS0091-001	JACK	GUITARJACK	
	C9607	QER61CM-106Z	E CAPACITOR	10MF 20% 16V			K 696	QQR1183-001Z	F.BEADS	(B1181)	
	C9608	NCS21HJ-680X	C CAPACITOR				K2301	QQR1183-001Z	F.BEADS		
	C9609	QER61HM-105Z	E CAPACITOR	1.0MF 20% 50V			K4331	QQR1183-001Z	F.BEADS		
	C9610	QER61HM-335Z	E CAPACITOR	3.3MF 20% 50V			K4332	QQR1183-001Z	F.BEADS		
	C9611	QER61HM-335Z	E CAPACITOR	3.3MF 20% 50V			K6351	QQR1183-001Z	F.BEADS	FOR EMC	
	C9612	NCS21HJ-221X	C CAPACITOR				K9001	QQR1183-001Z	F.BEADS		
	C9613	QER61HM-105Z	E CAPACITOR	1.0MF 20% 50V			K9002	QQR1183-001Z	F.BEADS	CD GND	
	C9614	QER61HM-105Z	E CAPACITOR	1.0MF 20% 50V			K9003	QQR1183-001Z	F.BEADS	CD GND	
	C9615	QER61CM-476Z	E CAPACITOR	47MF 20% 16V			K9004	QQR1183-001Z	F.BEADS	CD GND	
	C9616	QER61CM-476Z	E CAPACITOR	47MF 20% 16V			K9501	QQR1183-001Z	F.BEADS		
	C9617	NCB21EK-683X	C CAPACITOR				K9601	QQR1183-001Z	F.BEADS		
	D 661	1SS133-T2	SI DIODE				L2301	QLL231K-4R7Y	INDUCTOR		
	DI901	QLD0121-001	LCD MODULE				L9001	QLL244K-100Z	INDUCTOR		
	D2101	1SS133-T2	SI DIODE				L9002	QLL244K-100Z	INDUCTOR		
	D2110	MA700A-T2	S.B.DIODE				L9003	QLL244K-100Z	INDUCTOR		
	D2201	1SS133-T2	SI DIODE				PL 1	QLL0052-002	P.LAMP		
	D2502	SLR-342VR-T15	LED	STAND-BY LED			Q 601	2SA952/LK/-T	TRANSISTOR		
	D2503	1SS133-T2	SI DIODE				Q 631	2SA952/LK/-T	TRANSISTOR		
	D4331	MTZJ6.2A-T2	Z.DIODE				Q2101	DTC114TKA-X	TRANSISTOR		
	D4332	1SS133-T2	SI DIODE				Q2102	DTA114EKA-X	D TRANSISTOR		
	D4333	1SS133-T2	SI DIODE				Q2201	DTC114TKA-X	TRANSISTOR		
	D6351	1SS133-T2	SI DIODE				Q2202	DTA114EKA-X	D TRANSISTOR		
	D6352	MTZJ3.6A-T2	ZENER DIODE				Q2301	2SC2785FF-T	TRANSISTOR		
	D6353	1SS133-T2	SI DIODE				Q2302	2SA1037AK/RS/-X	TRANSISTOR		
	D6354	MTZJ4.7A-T2	Z DIODE				Q2501	DTA124XKA-X	D TRANSISTOR	STAND-BY LED	
	D9001	1SS133-T2	SI DIODE				Q4131	2SD2114K/VW/-X	CHIP TRANSISTOR		
	D9002	MTZJ5.1C-T2	ZENER DIODE				Q4231	2SD2114K/VW/-X	CHIP TRANSISTOR		
	D9003	MA700A-T2	S.B.DIODE				Q4331	DTA144EKA-X	TRANSISTOR		
	D9004	1SS133-T2	SI DIODE				Q6150	2SD596/4/-X	TRANSISTOR		
	D9501	1SS133-T2	SI DIODE				Q6151	2SD596/4/-X	TRANSISTOR		
	D9502	1SS133-T2	SI DIODE				Q6250	2SD596/4/-X	TRANSISTOR		

## ■ Electrical parts list (Micon board)

Block No. 02

△	Item	Parts number	Parts name	Remarks	Area	△	Item	Parts number	Parts name	Remarks	Area
	Q6251	2SD596/4/-X	TRANSISTOR				R2104	NRSA02J-393X	MG RESISTOR		
	Q6350	DTC114EKA-X	TRANSISTOR				R2105	NRSA02J-222X	MG RESISTOR		
	Q6351	DTA144EKA-X	TRANSISTOR				R2106	NRSA02J-222X	MG RESISTOR		
	Q9001	2SC2668/O/-T	TRANSISTOR	OSCILATOR			R2107	NRSA02J-183X	MG RESISTOR		
	Q9002	2SC2668/O/-T	TRANSISTOR	OSCILATOR			R2108	NRSA02J-183X	MG RESISTOR		
	Q9003	2SC2412K/R/-X	TRANSISTOR				R2201	NRSA02J-103X	MG RESISTOR		
	Q9004	2SB624/4/-X	TRANSISTOR	LAMP CON.			R2202	NRSA02J-333X	MG RESISTOR		
	Q9005	2SC2412K/R/-X	TRANSISTOR	AC/DC			R2203	NRSA02J-393X	MG RESISTOR		
	Q9006	2SC2412K/R/-X	TRANSISTOR	LAMP CON.			R2204	NRSA02J-393X	MG RESISTOR		
	Q9009	2SC2412K/R/-X	TRANSISTOR				R2205	NRSA02J-222X	MG RESISTOR		
	Q9010	2SA1037AK/RS/-X	TRANSISTOR				R2206	NRSA02J-222X	MG RESISTOR		
	Q9501	DTC114TKA-X	TRANSISTOR				R2207	NRSA02J-183X	MG RESISTOR		
	Q9502	2SA1037AK/RS/-X	TRANSISTOR				R2208	NRSA02J-183X	MG RESISTOR		
	Q9503	2SC2412K/R/-X	TRANSISTOR				R2301	NRSA02J-154X	MG RESISTOR		
	Q9504	2SC2412K/R/-X	TRANSISTOR				R2302	NRSA02J-154X	MG RESISTOR		
	Q9601	2SC2412K/R/-X	TRANSISTOR				R2303	QRE141J-101Y	C RESISTOR	100 5% 1/4W	
	Q9602	2SC2412K/R/-X	TRANSISTOR				R2304	NRSA02J-222X	MG RESISTOR		
	Q9603	DTC114TKA-X	TRANSISTOR				R2305	NRSA02J-822X	MG RESISTOR		
	Q9604	2SA1037AK/RS/-X	TRANSISTOR				R2306	NRSA02J-221X	MG RESISTOR		
	R 601	NRSA02J-113X	MG RESISTOR				R2308	NRSA02J-105X	MG RESISTOR		
	R 603	NRSA02J-125X	MG RESISTOR				R2310	NRSA02J-104X	MG RESISTOR		
	R 605	NRSA02J-274X	MG RESISTOR				R2500	NRSA02J-101X	MG RESISTOR		
	R 606	NRSA02J-154X	MG RESISTOR				R2501	NRSA02J-101X	MG RESISTOR		
	R 607	NRSA02J-273X	MG RESISTOR				R2502	NRSA02J-121X	MG RESISTOR		
	R 609	NRSA02J-104X	MG RESISTOR				R2503	NRSA02J-181X	MG RESISTOR		
	R 610	NRSA02J-154X	MG RESISTOR				R2504	NRSA02J-221X	MG RESISTOR		
	R 612	NRSA02J-102X	MG RESISTOR				R2505	NRSA02J-271X	MG RESISTOR		
	R 613	NRSA02J-121X	MG RESISTOR				R2506	NRSA02J-391X	MG RESISTOR		
	R 614	NRSA02J-100X	MG RESISTOR				R2507	NRSA02J-561X	MG RESISTOR		
	R 615	NRSA02J-120X	MG RESISTOR				R2508	NRSA02J-102X	MG RESISTOR		
	R 616	NRSA02J-910X	MG RESISTOR				R2509	NRSA02J-182X	MG RESISTOR		
	R 621	NRSA02J-330X	MG RESISTOR				R2510	NRSA02J-512X	MG RESISTOR		
	R 622	NRSA02J-330X	MG RESISTOR				R2511	NRSA02J-101X	MG RESISTOR		
	R 623	NRSA02J-330X	MG RESISTOR				R2512	NRSA02J-121X	MG RESISTOR		
	R 631	NRSA02J-331X	MG RESISTOR				R2513	NRSA02J-181X	MG RESISTOR		
	R 632	NRSA02J-101X	MG RESISTOR				R2514	NRSA02J-221X	MG RESISTOR		
	R 633	NRSA02J-273X	MG RESISTOR				R2515	NRSA02J-101X	MG RESISTOR		
	R 641	NRSA02J-563X	MG RESISTOR				R2521	NRSA02J-271X	MG RESISTOR		
	R 642	NRSA02J-123X	MG RESISTOR				R2522	NRSA02J-391X	MG RESISTOR		
	R 643	NRSA02J-822X	MG RESISTOR				R2523	NRSA02J-561X	MG RESISTOR		
	R 644	NRSA02J-223X	MG RESISTOR				R2524	NRSA02J-102X	MG RESISTOR		
	R 645	NRSA02J-223X	MG RESISTOR				R2525	NRSA02J-362X	MG RESISTOR		
	R 646	NRSA02J-222X	MG RESISTOR				R2530	NRSA02J-121X	MG RESISTOR		
	R 647	NRSA02J-472X	MG RESISTOR				R2534	NRSA02J-151X	MG RESISTOR		
	R 651	NRSA02J-102X	MG RESISTOR				R4131	NRSA02J-124X	MG RESISTOR		
	R 652	NRSA02J-102X	MG RESISTOR				R4132	NRSA02J-473X	MG RESISTOR		
	R 653	NRSA02J-102X	MG RESISTOR				R4133	NRSA02J-222X	MG RESISTOR		
	R 654	NRSA02J-102X	MG RESISTOR				R4231	NRSA02J-124X	MG RESISTOR		
	R 655	NRSA02J-471X	MG RESISTOR				R4232	NRSA02J-473X	MG RESISTOR		
	R 659	NRSA02J-221X	MG RESISTOR				R4233	NRSA02J-222X	MG RESISTOR		
	R 661	NRSA02J-683X	MG RESISTOR				R6150	NRSA02J-223X	MG RESISTOR		
	R 662	NRSA02J-155X	MG RESISTOR				R6151	NRSA02J-223X	MG RESISTOR		
	R 663	NRSA02J-124X	MG RESISTOR				R6152	NRSA02J-102X	MG RESISTOR		
	R 664	NRSA02J-471X	MG RESISTOR				R6153	NRSA02J-220X	MG RESISTOR		
	R 665	NRSA02J-562X	MG RESISTOR				R6154	NRSA02J-222X	MG RESISTOR		
	R 666	NRSA02J-220X	MG RESISTOR				R6155	NRSA02J-222X	MG RESISTOR		
	R 671	NRSA02J-103X	MG RESISTOR				R6156	NRSA02J-472X	MG RESISTOR		
	R 672	NRSA02J-103X	MG RESISTOR				R6157	NRSA02J-103X	MG RESISTOR		
	R 696	NRSA02J-222X	MG RESISTOR				R6158	NRSA02J-153X	MG RESISTOR		
	R 697	NRSA02J-474X	MG RESISTOR				R6159	NRSA02J-472X	MG RESISTOR		
	R2101	NRSA02J-103X	MG RESISTOR				R6250	NRSA02J-223X	MG RESISTOR		
	R2102	NRSA02J-333X	MG RESISTOR				R6251	NRSA02J-223X	MG RESISTOR		
	R2103	NRSA02J-393X	MG RESISTOR				R6252	NRSA02J-102X	MG RESISTOR		

## ■ Electrical parts list (Micon board)

Block No. 02

△	Item	Parts number	Parts name	Remarks	Area	△	Item	Parts number	Parts name	Remarks	Area
	R6253	NRSA02J-220X	MG RESISTOR				R9054	NRSA02J-102X	MG RESISTOR		
	R6254	NRSA02J-222X	MG RESISTOR				R9055	NRSA02J-102X	MG RESISTOR		
	R6255	NRSA02J-222X	MG RESISTOR				R9056	NRSA02J-102X	MG RESISTOR		
	R6256	NRSA02J-472X	MG RESISTOR				R9057	NRSA02J-222X	MG RESISTOR		
	R6257	NRSA02J-103X	MG RESISTOR				R9058	NRSA02J-472X	MG RESISTOR		
	R6258	NRSA02J-153X	MG RESISTOR				R9059	NRSA02J-912X	MG RESISTOR		
	R6259	NRSA02J-472X	MG RESISTOR				R9060	NRSA02J-102X	MG RESISTOR		
	R6350	NRSA02J-121X	MG RESISTOR				R9061	NRSA02J-222X	MG RESISTOR		
	R6351	NRSA02J-102X	MG RESISTOR				R9062	NRSA02J-222X	MG RESISTOR		
	R6352	NRSA02J-121X	MG RESISTOR				R9063	NRSA02J-473X	MG RESISTOR		
	R6353	NRSA02J-473X	MG RESISTOR				R9064	NRSA02J-473X	MG RESISTOR		
	R6354	NRSA02J-472X	MG RESISTOR				R9065	NRSA02J-103X	MG RESISTOR		
	R9001	NRSA02J-104X	MG RESISTOR				R9066	NRSA02J-103X	MG RESISTOR		
	R9002	NRSA02J-104X	MG RESISTOR				R9067	NRSA02J-104X	MG RESISTOR		
	R9003	NRSA02J-104X	MG RESISTOR				R9068	NRSA02J-102X	MG RESISTOR		
	R9004	NRSA02J-393X	MG RESISTOR				R9069	NRSA02J-222X	MG RESISTOR		
	R9005	NRSA02J-104X	MG RESISTOR				R9070	NRSA02J-472X	MG RESISTOR		
	R9006	NRSA02J-224X	MG RESISTOR				R9071	NRSA02J-472X	MG RESISTOR		
	R9007	NRSA02J-222X	MG RESISTOR				R9072	NRSA02J-472X	MG RESISTOR		
	R9008	NRSA02J-103X	MG RESISTOR				R9073	NRSA02J-102X	MG RESISTOR		
	R9009	NRSA02J-222X	MG RESISTOR				R9074	NRSA02J-103X	MG RESISTOR		
	R9010	NRSA02J-222X	MG RESISTOR				R9075	NRSA02J-102X	MG RESISTOR		
	R9011	NRSA02J-222X	MG RESISTOR				R9076	NRSA02J-103X	MG RESISTOR		
	R9012	NRSA02J-102X	MG RESISTOR				R9077	NRSA02J-103X	MG RESISTOR		
	R9013	NRSA02J-222X	MG RESISTOR				R9078	NRSA02J-103X	MG RESISTOR		
	R9014	NRSA02J-222X	MG RESISTOR				R9079	NRSA02J-562X	MG RESISTOR		
	R9015	NRSA02J-102X	MG RESISTOR				R9080	NRSA02J-222X	MG RESISTOR		
	R9016	NRSA02J-222X	MG RESISTOR				R9081	NRSA02J-102X	MG RESISTOR		
	R9017	NRSA02J-102X	MG RESISTOR				R9082	NRSA02J-102X	MG RESISTOR		
	R9018	NRSA02J-222X	MG RESISTOR				R9083	NRSA02J-472X	MG RESISTOR		
	R9019	NRSA02J-102X	MG RESISTOR				R9084	NRSA02J-472X	MG RESISTOR		
	R9020	NRSA02J-682X	MG RESISTOR				R9085	NRSA02J-472X	MG RESISTOR		
	R9022	NRSA02J-103X	MG RESISTOR				R9086	NRSA02J-472X	MG RESISTOR		
	R9024	NRSA02J-222X	MG RESISTOR				R9087	NRSA02J-472X	MG RESISTOR		
	R9025	NRSA02J-822X	MG RESISTOR				R9088	NRSA02J-103X	MG RESISTOR		
	R9026	NRSA02J-103X	MG RESISTOR				R9089	NRSA02J-104X	MG RESISTOR		
	R9027	NRSA02J-222X	MG RESISTOR				R9090	NRSA02J-103X	MG RESISTOR		
	R9028	NRSA02J-822X	MG RESISTOR				R9091	NRSA02J-102X	MG RESISTOR		
	R9029	NRSA02J-912X	MG RESISTOR				R9092	NRSA02J-102X	MG RESISTOR		
	R9030	NRSA02J-222X	MG RESISTOR				R9093	NRSA02J-102X	MG RESISTOR		
	R9031	NRSA02J-102X	MG RESISTOR				R9094	NRSA02J-102X	MG RESISTOR		
	R9032	NRSA02J-102X	MG RESISTOR				R9095	NRSA02J-472X	MG RESISTOR		
	R9033	NRSA02J-102X	MG RESISTOR				R9098	NRSA02J-333X	MG RESISTOR		
	R9034	NRSA02J-103X	MG RESISTOR				R9099	NRSA02J-473X	MG RESISTOR		
	R9035	NRSA02J-103X	MG RESISTOR				R9100	NRSA02J-104X	MG RESISTOR		
	R9036	NRSA02J-222X	MG RESISTOR				R9101	NRSA02J-104X	MG RESISTOR		
	R9037	NRSA02J-222X	MG RESISTOR				R9102	NRSA02J-103X	MG RESISTOR		
	R9038	NRSA02J-682X	MG RESISTOR				R9103	NRSA02J-222X	MG RESISTOR		
	R9039	NRSA02J-103X	MG RESISTOR				R9108	NRSA02J-563X	MG RESISTOR		
	R9040	NRSA02J-103X	MG RESISTOR				R9109	NRSA02J-473X	MG RESISTOR		
	R9041	NRSA02J-243X	MG RESISTOR				R9110	NRSA02J-473X	MG RESISTOR		
	R9042	NRSA02J-243X	MG RESISTOR				R9111	NRSA02J-473X	MG RESISTOR		
	R9043	NRSA02J-103X	MG RESISTOR				R9112	NRSA02J-472X	MG RESISTOR		
	R9044	NRSA02J-103X	MG RESISTOR				R9501	NRSA02J-104X	MG RESISTOR		
	R9045	NRSA02J-103X	MG RESISTOR				R9502	NRSA02J-102X	MG RESISTOR		
	R9046	NRSA02J-222X	MG RESISTOR				R9503	NRSA02J-103X	MG RESISTOR		
	R9047	NRSA02J-473X	MG RESISTOR				R9504	NRSA02J-564X	MG RESISTOR		
	R9048	NRSA02J-222X	MG RESISTOR				R9505	NRSA02J-222X	MG RESISTOR		
	R9049	NRSA02J-473X	MG RESISTOR				R9506	QRE141J-221Y	C RESISTOR	220 5% 1/4W	
	R9050	NRSA02J-222X	MG RESISTOR				R9507	NRSA02J-103X	MG RESISTOR		
	R9051	NRSA02J-103X	MG RESISTOR				R9508	NRSA02J-102X	MG RESISTOR		
	R9052	NRSA02J-102X	MG RESISTOR				R9509	NRSA02J-224X	MG RESISTOR		
	R9053	NRSA02J-102X	MG RESISTOR				R9510	NRSA02J-103X	MG RESISTOR		

## ■ Electrical parts list (Micon board)

Block No. 02

△	Item	Parts number	Parts name	Remarks	Area
	R9511	NRSA02J-473X	MG RESISTOR		
	R9512	NRSA02J-473X	MG RESISTOR		
	R9513	NRSA02J-102X	MG RESISTOR		
	R9514	NRSA02J-103X	MG RESISTOR		
	R9515	NRSA02J-154X	MG RESISTOR		
	R9516	NRSA02J-154X	MG RESISTOR		
	R9601	NRSA02J-184X	MG RESISTOR		
	R9602	NRSA02J-823X	MG RESISTOR		
	R9603	NRSA02J-393X	MG RESISTOR		
	R9604	NRSA02J-333X	MG RESISTOR		
	R9605	NRSA02J-563X	MG RESISTOR		
	R9606	QRE141J-101Y	C RESISTOR	100 5% 1/4W	
	R9607	NRSA02J-182X	MG RESISTOR		
	R9608	NRSA02J-273X	MG RESISTOR		
	R9609	NRSA02J-224X	MG RESISTOR		
	R9610	NRSA02J-101X	MG RESISTOR		
	R9611	NRSA02J-104X	MG RESISTOR		
	R9612	NRSA02J-474X	MG RESISTOR		
	R9613	NRSA02J-222X	MG RESISTOR		
	R9614	NRSA02J-222X	MG RESISTOR		
	R9615	NRSA02J-222X	MG RESISTOR		
	R9616	NRSA02J-222X	MG RESISTOR		
	R9617	NRSA02J-103X	MG RESISTOR		
	R9618	NRSA02J-103X	MG RESISTOR		
	R9619	NRSA02J-122X	MG RESISTOR		
	R9620	NRSA02J-473X	MG RESISTOR		
	R9621	NRSA02J-563X	MG RESISTOR		
	R9622	NRSA02J-223X	MG RESISTOR		
	R9623	QRE141J-101Y	C RESISTOR	100 5% 1/4W	
	R9624	NRSA02J-473X	MG RESISTOR		
	R9625	NRSA02J-473X	MG RESISTOR		
	R9626	NRSA02J-683X	MG RESISTOR		
	R9627	NRSA02J-683X	MG RESISTOR		
	R9628	NRSA02J-393X	MG RESISTOR		
	S2501	QSW0622-001Z	TACT SWITCH	SOUND	
	S2502	QSW0622-001Z	TACT SWITCH	PRESET	
	S2503	QSW0622-001Z	TACT SWITCH	REC	
	S2504	QSW0622-001Z	TACT SWITCH	CD	
	S2505	QSW0622-001Z	TACT SWITCH	TAPE	
	S2506	QSW0622-001Z	TACT SWITCH	TUNER	
	S2507	QSW0622-001Z	TACT SWITCH	AUX	
	S2508	QSW0622-001Z	TACT SWITCH	REW	
	S2509	QSW0622-001Z	TACT SWITCH	STOP	
	S2510	QSW0622-001Z	TACT SWITCH	FF	
	S2511	QSW0622-001Z	TACT SWITCH		
	S2520	QSW0622-001Z	TACT SWITCH	POWER	
	S2521	QSW0622-001Z	TACT SWITCH		
	S2522	QSW0622-001Z	TACT SWITCH		
	S2523	QSW0622-001Z	TACT SWITCH		
	S2524	QSW0622-001Z	TACT SWITCH		
	S2525	QSW0622-001Z	TACT SWITCH		
	S2526	QSW0882-001Z	TACT SWITCH		
	S2527	QSW0622-001Z	TACT SWITCH		
	S2528	QSW0622-001Z	TACT SWITCH		
	S2529	QSW0622-001Z	TACT SWITCH		
	S2530	QSW0622-001Z	TACT SWITCH		
	S2531	QSW0122-001	PUSH SWITCH	CD DOOR	
	VR901	QSW0868-001	ROTARY ENCODER		
	VR902	QSW0868-001	ROTARY ENCODER		
	VR903	QSW0869-001	ROTARY ENCODER		
	VR951	QVQ0020-B14	V.RES	MIC VR	
	VR961	QVQ0020-B14	V.RES	GUITAR VR	
	X 651	QAX0369-001Z	CERA LOCK	16.9344MHZ	

△	Item	Parts number	Parts name	Remarks	Area
	X9001	QAX0401-001	CRYSTAL		
	X9002	QAX0416-001Z	CERA LOCK		



## ■ Electrical parts list (Tuner board)

Block No. 03

△	Item	Parts number	Parts name	Remarks	Area
C	3	QCSB1HK-5R6Y	C CAPACITOR	5.6PF 10% 50V	
C	6	QDYB1CM-103Y	C CAPACITOR		
C	7	QDYB1CM-103Y	C CAPACITOR		
C	9	QCSB1HJ-120Y	C CAPACITOR	12PF 5% 50V	
C	13	QDX31EM-223Z	C CAPACITOR		
C	16	QDYB1CM-103Y	C CAPACITOR		
C	21	QDX31EM-473Z	C CAPACITOR		
C	22	QFP31HJ-431Z	PP CAPACITOR	430PF 5% 50V	
C	23	QDCB1HJ-120Y	C CAPACITOR		
C	24	QCSB1HJ-620Y	C CAPACITOR	62PF 5% 50V	
C	25	QDX31EM-473Z	C CAPACITOR		
C	26	QFP31HJ-181Z	PP CAPACITOR	180PF 5% 50V	
C	27	QCS31HJ-101Z	C CAPACITOR	100PF 5% 50V	
C	28	QCSB1HJ-150Y	C CAPACITOR	15PF 5% 50V	
C	30	QCBB1HK-331Y	C CAPACITOR	330PF 10% 50V	
C	31	QDGB1HK-102Y	C CAPACITOR		
C	32	QDYB1CM-103Y	C CAPACITOR		
C	33	QETN1AM-107Z	E CAPACITOR	100MF 20% 10V	
C	35	QDX31EM-473Z	C CAPACITOR		
C	36	QETN1HM-475Z	E CAPACITOR	4.7MF 20% 50V	
C	37	QDGB1HK-102Y	C CAPACITOR		
C	40	QDYB1CM-103Y	C CAPACITOR		
C	41	QETN1HM-475Z	E CAPACITOR	4.7MF 20% 50V	
C	42	QDX31EM-473Z	C CAPACITOR		
C	43	QETN1HM-104Z	C CAPACITOR	.10MF 20% 50V	
C	44	QETN1HM-105Z	E CAPACITOR	1.0MF 20% 50V	
C	45	QETN1HM-104Z	C CAPACITOR	.10MF 20% 50V	
C	47	QDX31EM-153Z	C CAPACITOR		
C	48	QDX31EM-153Z	C CAPACITOR		
C	49	QETN1HM-104Z	C CAPACITOR	.10MF 20% 50V	
C	50	QETN1HM-104Z	C CAPACITOR	.10MF 20% 50V	
C	51	QCBB1HK-331Y	C CAPACITOR	330PF 10% 50V	
C	52	QDGB1HK-102Y	C CAPACITOR		
C	60	QDGB1HK-102Y	C CAPACITOR		
C	61	QETN1AM-107Z	E CAPACITOR	100MF 20% 10V	
C	62	QDCB1HJ-120Y	C CAPACITOR		
C	63	QDGB1HK-102Y	C CAPACITOR		
C	64	QDCB1HJ-120Y	C CAPACITOR		
C	65	QDGB1HK-102Y	C CAPACITOR		
C	69	QDXB1CM-222Y	C CAPACITOR		
C	70	QETN1HM-225Z	E CAPACITOR	2.2MF 20% 50V	
C	71	QETN1CM-106Z	E CAPACITOR	10MF 20% 16V	
C	77	QDYB1CM-103Y	C CAPACITOR		
C	81	QCSB1HJ-150Y	C CAPACITOR	15PF 5% 50V	
C	83	QCSB1HJ-560Y	C CAPACITOR	56PF 5% 50V	
C	85	QCSB1HJ-150Y	C CAPACITOR	15PF 5% 50V	
CF	1	QAX0403-001	C FILTER		
CF	3	QAX0538-001Z	CRYSTAL		
CN	1	QGF1205C1-09	CONNECTOR	TO MAIN	
D	1	SVC203SPA-JV-T	VARI CAP		
D	2	SVC203SPA-JV-T	VARI CAP		
D	5	1SS133-T2	SI DIODE		
D	6	1SS133-T2	SI DIODE		
D	8	SVC344-T	VARI CAP		
D	10	SVC344-T	VARI CAP		
D	12	DSK10C-T1	DIODE		
D	13	1SS133-T2	SI DIODE		
IC	1	TA2104AN	IC		
IC	2	LC72136N	IC		
L	1	QQR0772-001	OSC COIL	FM OSC	
L	2	QQR0769-001	RF COIL	FM RF	
L	3	QQR0771-001	BAR ANTENA	MW RF	
L	4	QQR0723-001	OSC COIL	MW OSC	
L	6	QQR0774-001	OSC COIL(LW)		

△	Item	Parts number	Parts name	Remarks	Area
L	7	QQL231K-221Y	INDUCTOR		
L	10	QQL231K-4R7Y	INDUCTOR		
L	12	QQR0756-001	INDUCTOR		
Q	1	2SC2668/O-T	TRANSISTOR		
Q	2	2SC2668/O-T	TRANSISTOR		
Q	3	2SC2668/O-T	TRANSISTOR		
Q	4	2SA1175/HFE-T	TRANSISTOR		
Q	5	2SC2668/O-T	TRANSISTOR		
Q	6	2SC2668/O-T	TRANSISTOR		
Q	14	DTA114YSA-T	D TRANSISTOR		
R	1	QRE141J-104Y	C RESISTOR	100K 5% 1/4W	
R	2	QRE141J-473Y	C RESISTOR	47K 5% 1/4W	
R	3	QRE141J-220Y	C RESISTOR	22 5% 1/4W	
R	4	QRE141J-473Y	C RESISTOR	47K 5% 1/4W	
R	7	QRE141J-104Y	C RESISTOR	100K 5% 1/4W	
R	9	QRE141J-472Y	C RESISTOR	4.7K 5% 1/4W	
R	12	QRE141J-472Y	C RESISTOR	4.7K 5% 1/4W	
R	13	QRE141J-104Y	C RESISTOR	100K 5% 1/4W	
R	14	QRE141J-103Y	C RESISTOR	10K 5% 1/4W	
R	15	QRE141J-222Y	C RESISTOR	2.2K 5% 1/4W	
R	16	QRE141J-472Y	C RESISTOR	4.7K 5% 1/4W	
R	17	QRE141J-104Y	C RESISTOR	100K 5% 1/4W	
R	18	QRE141J-102Y	C RESISTOR	1.0K 5% 1/4W	
R	19	QRE141J-222Y	C RESISTOR	2.2K 5% 1/4W	
R	20	QRE141J-223Y	C RESISTOR	22K 5% 1/4W	
R	21	QRE141J-223Y	C RESISTOR	22K 5% 1/4W	
R	24	QRE141J-681Y	C RESISTOR	680 5% 1/4W	
R	25	QRE141J-102Y	C RESISTOR	1.0K 5% 1/4W	
R	30	QRE141J-183Y	C RESISTOR	18K 5% 1/4W	
R	31	QRE141J-104Y	C RESISTOR	100K 5% 1/4W	
R	32	QRE141J-332Y	C RESISTOR	3.3K 5% 1/4W	
R	33	QRE141J-471Y	C RESISTOR	470 5% 1/4W	
R	34	QRE141J-222Y	C RESISTOR	2.2K 5% 1/4W	
R	35	QRE141J-183Y	C RESISTOR	18K 5% 1/4W	
R	36	QRE141J-183Y	C RESISTOR	18K 5% 1/4W	
R	37	QRE141J-560Y	C RESISTOR	56 5% 1/4W	
R	38	QRE141J-101Y	C RESISTOR	100 5% 1/4W	
R	39	QRE141J-680Y	C RESISTOR	68 5% 1/4W	
R	40	QRE141J-222Y	C RESISTOR	2.2K 5% 1/4W	
R	41	QRE141J-222Y	C RESISTOR	2.2K 5% 1/4W	
R	42	QRE141J-473Y	C RESISTOR	47K 5% 1/4W	
R	44	QRE141J-222Y	C RESISTOR	2.2K 5% 1/4W	
R	45	QRE141J-102Y	C RESISTOR	1.0K 5% 1/4W	
R	47	QRE141J-220Y	C RESISTOR	22 5% 1/4W	
R	48	QRE141J-102Y	C RESISTOR	1.0K 5% 1/4W	
R	51	QRE141J-331Y	C RESISTOR	330 5% 1/4W	
R	52	QRE141J-103Y	C RESISTOR	10K 5% 1/4W	
R	54	QRE141J-222Y	C RESISTOR	2.2K 5% 1/4W	
R	55	QRE141J-222Y	C RESISTOR	2.2K 5% 1/4W	
R	56	QRE141J-332Y	C RESISTOR	3.3K 5% 1/4W	
R	57	QRE141J-102Y	C RESISTOR	1.0K 5% 1/4W	
R	59	QRE141J-102Y	C RESISTOR	1.0K 5% 1/4W	
R	60	QRE141J-102Y	C RESISTOR	1.0K 5% 1/4W	
R	61	QRE141J-102Y	C RESISTOR	1.0K 5% 1/4W	
R	63	QRE141J-473Y	C RESISTOR	47K 5% 1/4W	
R	64	QRE141J-102Y	C RESISTOR	1.0K 5% 1/4W	
R	67	QRE141J-184Y	C RESISTOR	180K 5% 1/4W	
T	2	QAX0540-001	C FIL		
TC	2	QAT3725-200Z	T CAPACITOR	MW RF	
TC	3	QAT3725-300Z	T CAPACITOR		
TP	1	QNZ0104-001	POST PIN	TO ROD ANT	
TP	2	QNZ0104-001	POST PIN	GND	
X	1	QAX0402-001	CRYSTAL		

## ■ Electrical parts list (LED board)

Block No. 04

△	Item	Parts number	Parts name	Remarks	Area
	C4901	QEKJ1CM-107Z	E CAPACITOR	100MF 20% 16V	
	C4902	QEKJ1HM-105Z	E CAPACITOR	1.0MF 20% 50V	
	C4903	QEKJ1CM-106Z	E CAPACITOR	10MF 20% 16V	
	C4904	QEKJ1EM-475Z	E CAPACITOR	4.7MF 20% 25V	
	C4905	NCS21HJ-470X	C CAPACITOR		
	D4901	SLR-342MG/NPT15	LED		
	D4902	SLR-342MG/NPT15	LED		
	D4903	SLR-342MG/NPT15	LED		
	D4904	SLR-342MG/NPT15	LED		
	D4905	SLR-342DU/NPT15	LED		
	D4906	SLR-342DU/NPT15	LED		
	D4907	SLR-342VR/MNT15	LED		
	D4908	SLR-342VR/MNT15	LED		
	FW491	QJK005-031003	SIN CR C-B WIRE	MAIN - LED	
	IC491	LB1405	IC	LED CONT.	
	Q4901	DTA114EKA-X	D TRANSISTOR		
	Q4902	DTA114EKA-X	D TRANSISTOR		
	Q4903	DTA114EKA-X	D TRANSISTOR		
	Q4904	DTA114EKA-X	D TRANSISTOR		
	R4902	NRSA02J-151X	MG RESISTOR		
	R4904	NRSA02J-151X	MG RESISTOR		
	R4906	NRSA02J-151X	MG RESISTOR		
	R4908	NRSA02J-151X	MG RESISTOR		
	R4911	NRSA02J-561X	MG RESISTOR		
	R4912	NRSA02J-153X	MG RESISTOR		
	R4913	NRSA02J-153X	MG RESISTOR		
	R4914	NRSA02J-333X	MG RESISTOR		
	R4915	NRSA02J-103X	MG RESISTOR		
	R4916	NRSA02J-103X	MG RESISTOR		

## ■ Electrical parts list (Head amplifier &amp; mechanism board) Block No. 05

△	Item	Parts number	Parts name	Remarks	Area	△	Item	Parts number	Parts name	Remarks	Area
	C 101	NCS21HJ-821X	C CAPACITOR				IC 33	BU4094BCF-X	IC		
	C 102	NCS21HJ-221X	C CAPACITOR				L 301	QQR0620-001	OSC COIL(BIAS)		
	C 103	QEKJ0JM-227Z	E CAPACITOR	220MF 20% 6.3V			L 303	QLQ01BK-100Z	INDUCTOR		
	C 104	NCB21HK-333X	C CAPACITOR				Q 101	DTC114TKA-X	TRANSISTOR		
	C 105	NCB21HK-222X	C CAPACITOR				Q 102	DTC114TKA-X	TRANSISTOR	REC EQ CONT.	
	C 106	QEK41CM-106	E CAPACITOR	10MF 20% 16V			Q 201	DTC114TKA-X	TRANSISTOR		
	C 107	NCS21HJ-561X	C CAPACITOR				Q 202	DTC114TKA-X	TRANSISTOR	REC EQ CONT.	
	C 108	QEK41EM-475	E CAPACITOR	4.7MF 20% 25V			Q 301	DTA144EKA-X	TRANSISTOR	REC EQ CONT.	
	C 109	QEK41EM-475	E CAPACITOR	4.7MF 20% 25V			Q 302	2SC2001/K/-T	TRANSISTOR		
	C 110	NCB21HK-682X	C CAPACITOR				Q 303	2SC2001/K/-T	TRANSISTOR		
	C 111	NCB21HK-122X	C CAPACITOR				Q 304	2SC2001/LK/-T	TRANSISTOR		
	C 112	NCB21EK-683X	C CAPACITOR				Q 305	2SC2001/LK/-T	TRANSISTOR		
	C 113	NCB21HK-222X	C CAPACITOR				Q 306	2SC2412K/RS/-X	CHIP TRANSISTOR		
	C 121	NCS21HJ-331X	C CAPACITOR				Q 307	2SC2412K/RS/-X	CHIP TRANSISTOR		
	C 201	NCS21HJ-821X	C CAPACITOR				Q 308	2SC2412K/RS/-X	CHIP TRANSISTOR		
	C 202	NCS21HJ-221X	C CAPACITOR				Q 309	2SC2412K/RS/-X	CHIP TRANSISTOR		
	C 203	QEKJ0JM-227Z	E CAPACITOR	220MF 20% 6.3V			Q 321	DTC144EKA-X	TRANSISTOR		
	C 204	NCB21HK-333X	C CAPACITOR				Q 323	2SC2412K/RS/-X	CHIP TRANSISTOR		
	C 205	NCB21HK-222X	C CAPACITOR				Q 371	2SA952/LK/-T	TRANSISTOR	MOTER+B	
	C 206	QEK41CM-106	E CAPACITOR	10MF 20% 16V			Q 372	DTC124EKA-X	TRANSISTOR		
	C 207	NCS21HJ-561X	C CAPACITOR				Q 375	2SB562/C/-T	TRANSISTOR	SOLENOID DRIVE	
	C 208	QEK41EM-475	E CAPACITOR	4.7MF 20% 25V			Q 376	2SC2412K/RS/-X	CHIP TRANSISTOR		
	C 209	QEK41EM-475	E CAPACITOR	4.7MF 20% 25V			R 101	NRSA63J-220X	MG RESISTOR		
	C 210	NCB21HK-682X	C CAPACITOR				R 102	NRSA63J-182X	MG RESISTOR		
	C 211	NCB21HK-122X	C CAPACITOR				R 103	NRSA63J-242X	MG RESISTOR		
	C 212	NCB21EK-683X	C CAPACITOR				R 104	NRSA63J-122X	MG RESISTOR		
	C 213	NCB21HK-222X	C CAPACITOR				R 105	NRSA63J-104X	MG RESISTOR		
	C 221	NCS21HJ-331X	C CAPACITOR				R 106	NRSA63J-332X	MG RESISTOR		
	C 301	QEKJ1AM-107Z	E CAPACITOR	100MF 20% 10V			R 107	NRSA63J-123X	MG RESISTOR		
	C 302	NCB21HK-393X	C CAPACITOR				R 108	NRSA63J-562X	MG RESISTOR		
	C 303	QEKJ0JM-227Z	E CAPACITOR	220MF 20% 6.3V			R 109	NRSA63J-122X	MG RESISTOR		
	C 304	QEKJ1CM-226Z	E CAPACITOR	22MF 20% 16V			R 110	NRSA63J-472X	MG RESISTOR		
	C 305	QEKJ1CM-226Z	E CAPACITOR	22MF 20% 16V			R 111	NRSA63J-333X	MG RESISTOR		
	C 306	QEK41CM-476	E CAPACITOR	47MF 20% 16V			R 112	NRSA63J-222X	MG RESISTOR		
	C 307	NCB21HK-103X	C CAPACITOR				R 113	NRSA63J-472X	MG RESISTOR		
	C 308	NCB21HK-562X	C CAPACITOR				R 114	NRSA63J-272X	MG RESISTOR		
	C 309	NCB21HK-562X	C CAPACITOR				R 116	NRSA63J-102X	MG RESISTOR		
	C 310	NCB21HK-223X	C CAPACITOR				R 121	NRSA63J-102X	MG RESISTOR		
	C 311	NCB21HK-682X	C CAPACITOR				R 201	NRSA63J-220X	MG RESISTOR		
	C 313	QEKJ1AM-107Z	E CAPACITOR	100MF 20% 10V			R 202	NRSA63J-182X	MG RESISTOR		
	C 314	QCZ0205-155Z	ML C CAPACITOR	1.5MF			R 203	NRSA63J-242X	MG RESISTOR		
	C 315	QCZ0205-155Z	ML C CAPACITOR	1.5MF			R 204	NRSA63J-122X	MG RESISTOR		
	C 316	QFG32AJ-103Z	PP CAPACITOR	.010MF 5% 100V			R 205	NRSA63J-104X	MG RESISTOR		
	C 318	NCB21HK-103X	C CAPACITOR				R 206	NRSA63J-332X	MG RESISTOR		
	C 319	QFG32AJ-821Z	PP CAPACITOR	820PF 5% 100V			R 207	NRSA63J-123X	MG RESISTOR		
	C 321	NCB21HK-103X	C CAPACITOR				R 208	NRSA63J-562X	MG RESISTOR		
	C 322	QFG32AJ-152Z	PP CAPACITOR	1500PF 5% 100V			R 209	NRSA63J-122X	MG RESISTOR		
	C 331	QEK41CM-476	E CAPACITOR	47MF 20% 16V			R 210	NRSA63J-472X	MG RESISTOR		
	C 351	QEK41CM-106	E CAPACITOR	10MF 20% 16V			R 211	NRSA63J-333X	MG RESISTOR		
	C 371	QEK41EM-475	E CAPACITOR	4.7MF 20% 25V			R 212	NRSA63J-222X	MG RESISTOR		
	C 374	QEKJ1AM-107Z	E CAPACITOR	100MF 20% 10V			R 213	NRSA63J-472X	MG RESISTOR		
	C 375	QEKJ1AM-107Z	E CAPACITOR	100MF 20% 10V			R 214	NRSA63J-272X	MG RESISTOR		
	C 376	NCB21HK-103X	C CAPACITOR				R 216	NRSA63J-102X	MG RESISTOR		
	CN 31	QGF1201F3-06	CONNECTOR	PRI/HEAD			R 221	NRSA63J-102X	MG RESISTOR		
	CN 32	QGB2011M1-10	B TO B CONNECTO	PRI/MECHA			R 301	NRS181J-221X	MG RESISTOR		
	CN 33	QGF1205F1-09	CONNECTOR	PRI/MICON			R 303	NRSA63J-393X	MG RESISTOR		
	CN 34	QGF1201F3-10	CONNECTOR	PRI/AMP			R 304	NRS181J-101X	MG RESISTOR		
	D 301	MA152WA-X	DIODE				R 305	NRSA63J-222X	MG RESISTOR		
	D 309	MA704A-X	S.K.DIODE				R 306	NRSA63J-222X	MG RESISTOR		
	D 375	MA3051/M/-X	ZENER DIODE				R 310	NRS181J-560X	MG RESISTOR	1/8W	
	FW 31	QUM024-06A2Z3	PARA RIBON WIRE				R 311	NRS181J-560X	MG RESISTOR	1/8W	
	IC 31	BA3126N	IC	HEAD SW			R 313	NRSA63J-3R3X	MG RESISTOR		
	IC 32	AN7317	IC	PB&REC			R 314	NRSA63J-223X	MG RESISTOR		

**■ Electrical parts list (Head amplifier & mechanism board) Block No. 05**

△	Item	Parts number	Parts name	Remarks	Area
	R 315	NRSA63J-100X	MG RESISTOR		
	R 316	NRSA63J-223X	MG RESISTOR		
	R 317	NRSA63J-100X	MG RESISTOR		
	R 319	NRSA63J-152X	MG RESISTOR		
	R 322	NRSA63J-152X	MG RESISTOR		
	R 327	NRSA63J-474X	MG RESISTOR		
	R 332	NRSA63J-123X	MG RESISTOR		
	R 333	NRSA63J-123X	MG RESISTOR		
	R 335	NRSA63J-152X	MG RESISTOR		
	R 336	NRSA63J-472X	MG RESISTOR		
	R 337	NRSA63J-332X	MG RESISTOR		
	R 338	NRSA63J-392X	MG RESISTOR		
	R 339	NRSA63J-222X	MG RESISTOR		
	R 340	NRS181J-391X	MG RESISTOR		
	R 341	NRSA63J-123X	MG RESISTOR		
	R 342	NRSA63J-203X	MG RESISTOR		
	R 343	NRSA63J-183X	MG RESISTOR		
	R 351	NRSA63J-683X	MG RESISTOR		
	R 352	NRSA63J-912X	MG RESISTOR		
	R 371	NRSA63J-123X	MG RESISTOR		
	R 372	NRSA63J-102X	MG RESISTOR		
	R 375	NRSA02J-151X	MG RESISTOR	1/8W	
	R 376	NRSA63J-472X	MG RESISTOR		
	VR 31	QVP0008-503Z	SEMI.V.RESISTOR	BIAS ADJ	
	VR 32	QVP0008-503Z	SEMI.V.RESISTOR	BIAS ADJ	
	VR 37	QVP0008-103Z	SEMI.V.RESISTOR	TAPE SPEED ADJ	

**■ Electrical parts list (Cassette switch board)**

Block No. 06

△	Item	Parts number	Parts name	Remarks	Area
	CN 1	QGB2011L1-10	B TO B CONNECTO		
	D 1	1SR139-400-T2	SI DIODE		
	IC 1	SG-105F3-BB,C	PHOTO SENSER		
	P 1	QNZ0104-001	POST PIN		
	SW 1	QSW0832-001	LEAF SWITCH	R.REC	
	SW 2	QSW0832-001	LEAF SWITCH	TAPE	
	SW 4	QSW0832-001	LEAF SWITCH	70U	
	SW 5	QSW0832-001	LEAF SWITCH	F.REC	
	SW 6	QSW0859-001	DETECT SWITCH		

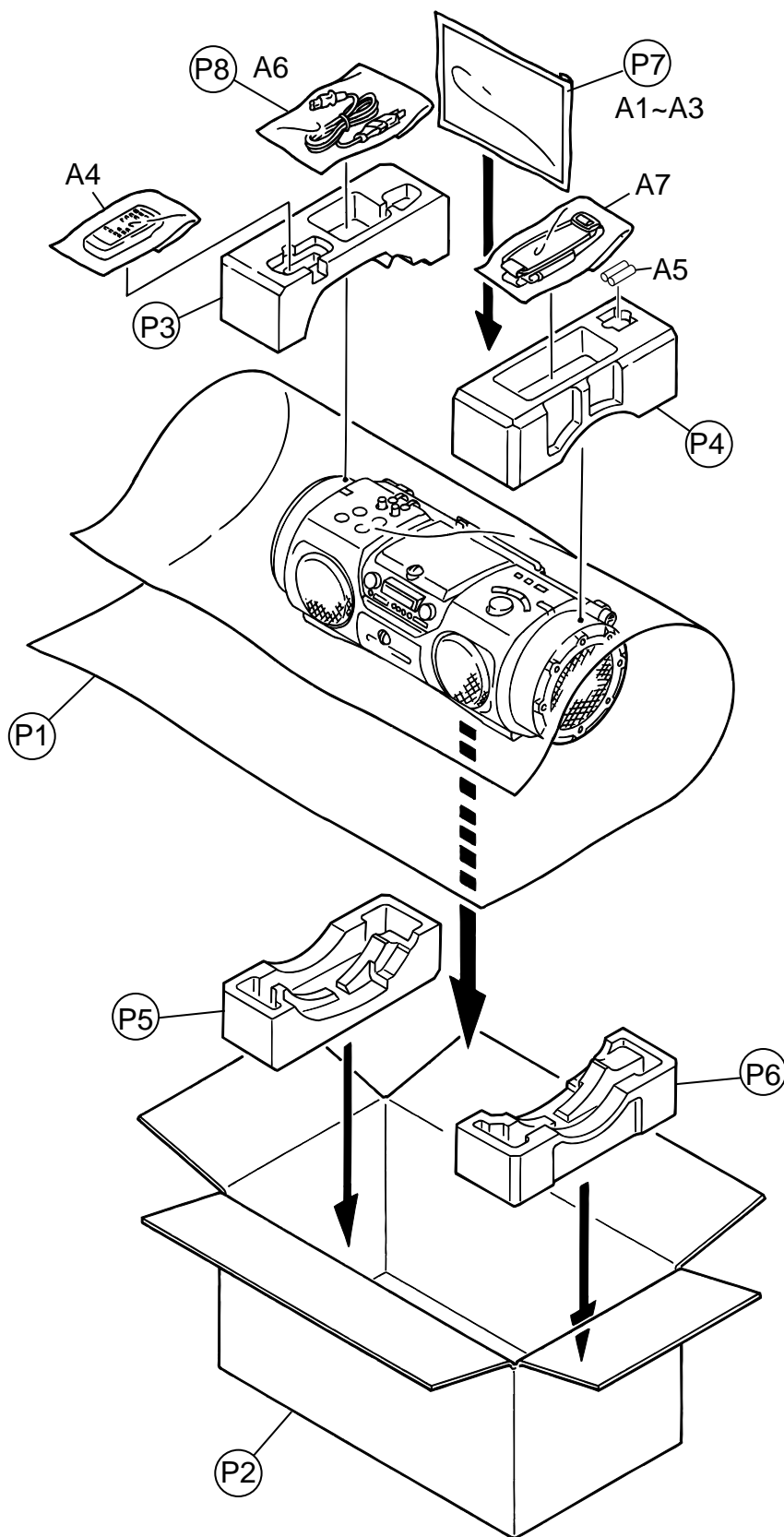
# Packing materials and accessories parts list

Block No. 

M	4	M	M
---	---	---	---

Block No. 

M	5	M	M
---	---	---	---



**Parts list (Packing)**

Block No. M4MM

△	Item	Parts number	Parts name	Q'ty	Description	Area
	P 1	QPF16016015	POLY SHEET	1		
	P 2	LV32595-002A	CARTON	1		
	P 3	LV10348-001A	CUSHION(UP/L)	1		
	P 4	LV10348-002A	CUSHION(UP/R)	1		
	P 5	LV10348-003A	CUSHION(BTM/L)	1		
	P 6	LV10348-004A	CUSHION(BTM/R)	1		
	P 7	QPA02503505P	POLY BAG	1	FOR INST	
	P 8	QPA01503503	POLY BAG	1	FOR P.CORD	B
		QPA01203005	POLY BAG	1	FOR P.CORD	E,EN

**Parts list (Accessories)**

Block No. M5MM

△	Item	Parts number	Parts name	Q'ty	Description	Area
	A 1	LVT0703-002A	INST BOOK	1	ENG	B
		LVT0703-003A	INST BOOK	1	GER,FRE,DUT	E
		LVT0703-004A	INST BOOK	1	SWE,FIN,DAN,GER, FRE,SPA,ITA	EN
	A 2	BT-54008-2	WARRANTY CARD	1		
	A 3	VNA3000-204	REGIST.CARD	1		B
	A 4	RM-SRVDP100E	REMOCON UNIT	1		
	A 5	-----	BATTERY	2		
△	A 6	QMP39F0-183E	POWER CORD	1		E,EN
△		QMP5520-183E	POWER CORD	1		B
	A 7	LV32068-001A	SHOULDER BELT	1		